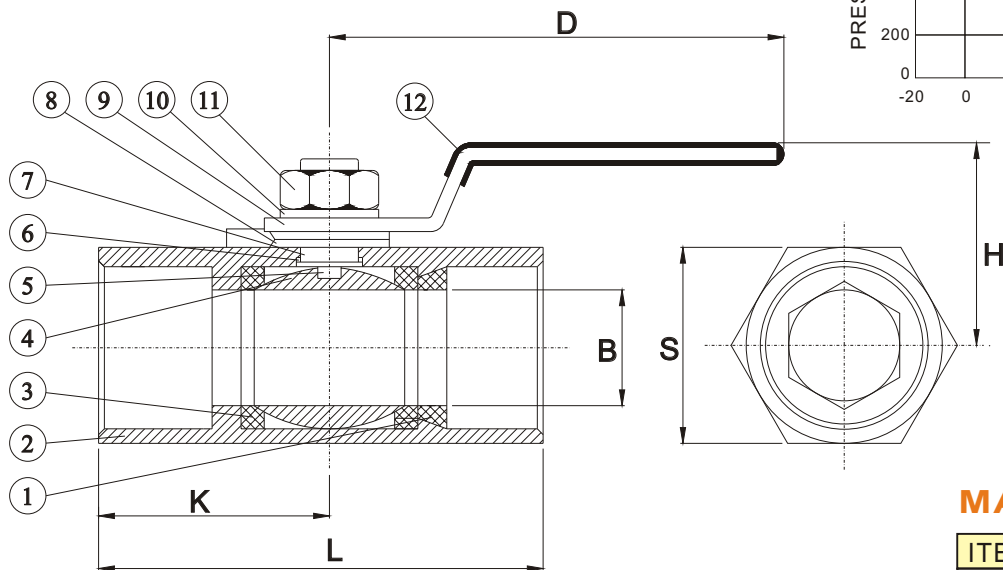


1000WOG/ PN 63
SIZE: 1/4"-2"



ZIPSON'S R101, 1-piece ball valve is designed for most of the industrial pipe line. On this economic type, the valve become the very basic one in most industrial works.



DIMENSIONS (mm)

SIZE	B	H	D	L	S	K	W (kg)
1/4"	5	38	62.5	39	17	19	0.07
3/8"	7	40	73	44	21	21	0.11
1/2"	9.2	51	85	56.5	25	27.5	0.18
3/4"	12.5	53	87	59	32	30	0.26
1"	16.0	56	107	71	38	36	0.42
1 1/4"	20	61	107	78	49	40	0.75
1 1/2"	25	68	130	83	53	42.5	0.85
2"	32	73	130	100	65	51	1.35

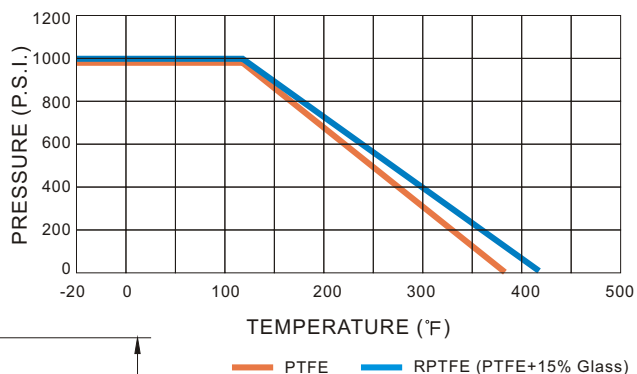
SPECIFICATION

- * For chemical and industrial applications
- * Blow-out proof stem design
- * 100% air tested under water at 80-100 psi
- * Working pressure: 1000 PSI
- * Temperature range -20°F to 430°F
- * End type: threaded

OPTION

- * Locking device
- * Oval handle
- * Butterfly handle

PRESSURE/ TEMPERATURE



MATERIALS LIST

ITEM	PART NAME	MATERIALS
1	INSERT	CF8M
2	BODY	CF8M
3	SEAT	PTFE
4	BALL	SS 316
5	STEM	SS 316
6	THRUST WASHER	PTFE
7	STEM PACKING	PTFE
8	GLAND WASHER	SS 304
9	HANDLE	SS 304
10	WASHER	SS 304
11	NUT STOPPER	SS 304
12	SLEEVE	PLASTIC