

SPECIFICATION

- * Body & end caps quality investment casting
- * Available in SS/ CS/ Special Alloy
- * with ISO 5211 direct mounting pad
- * Adjustable stem packing
- * Blow-out proof stem design
- * 100% air tested under water at 80-100 psi
- * Working pressure: Class150
- * Temperature range -20°F to 450°F

OPTION



- * **FIRE SAFE: API607-6th Edition Certified**
- * Automation application
- * TFM1600/ TFM4215/ PEEK/ UPE soft kits
- * PTFE/ PFA coating (40-70 um)
- * Hastalloy C/ Super duplex/ Alloy 20/ Monel
- * Anti-static devices
- * Other sizes & pressure are available as required
- * Heating Jacket, SS 304, 6 bar or more

ZIPSON'S 107S, 1-piece flanged ball valve is designed for most industrial application. 107S designed with ISO direct mounting pad, it's convenient for mounting pneumatic/ electric actuator directly upon the valve's ISO pad.

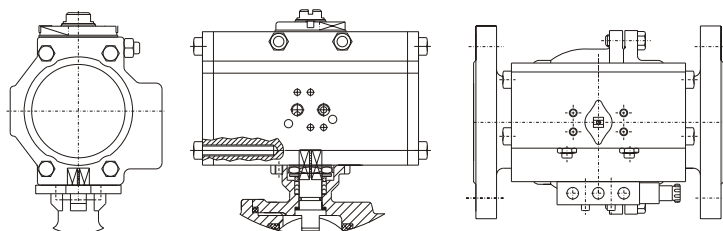
107S type were designed by 1-piece construction. This type is more popular in gas & oil industries. The 1-piece design valve don't use bolts and nuts in assembling the body parts, this will reduced the risk of leaking. 107S offer a complete range of size from 1/2" to 8" at present and other sizes & pressure rating are available while required.

Fire safe design with graphite stem packing & gasket is for option. The fire safe lips were existed in our standard design. You may need the valve to be with PTFE/ PFA coating on the surface of valve body/ end/ ball/ stem to for anti-sticky function. This will also be convenient to clean the valve just flush by flush.

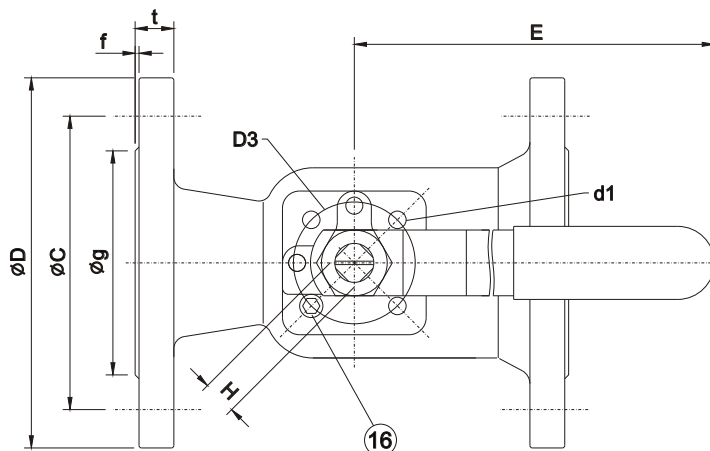
TFM1600/ TFM4215/ UPE (UHMWPE)/ PEEK Seat are available for different working situation. Hastalloy C/ Super Duple/ Alloy 20/ Monel and other special alloy are available when asked.

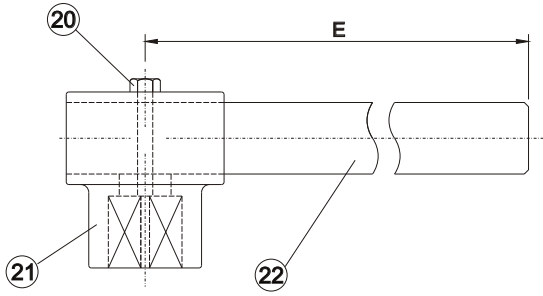


Heating jacketed flanged ball valve

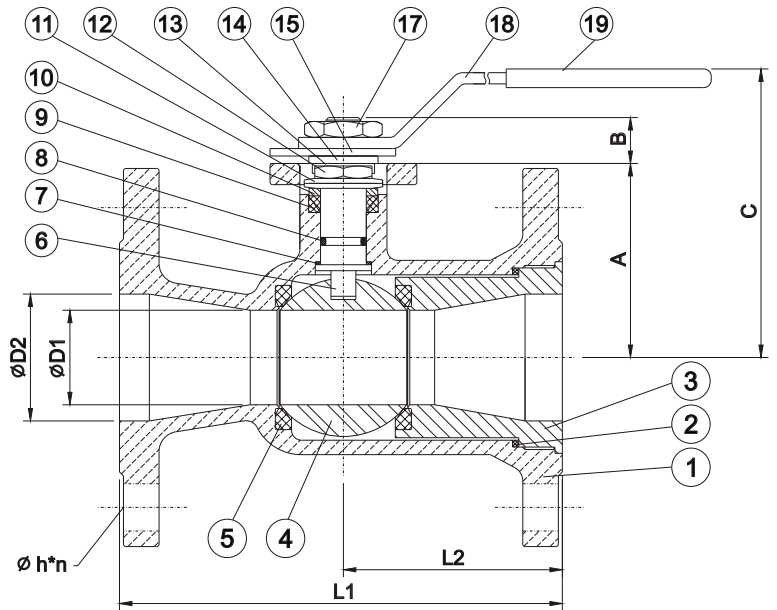


* ISO5211 direct mounting pad





From 2-1/2" with pipe handle, for long term & smooth usage.



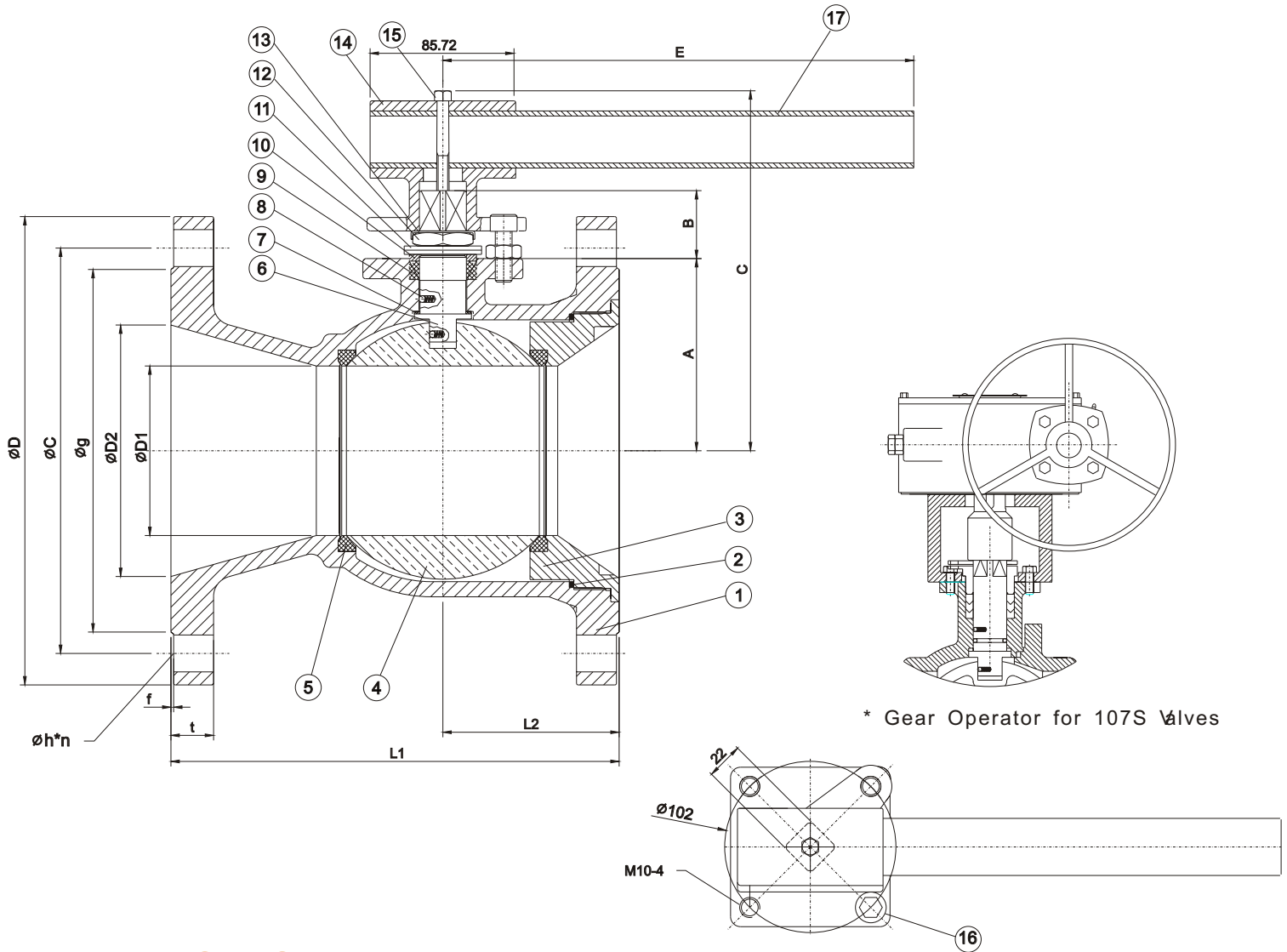
DIMENSIONS (mm)

SIZE	A	B	C	D1	D2	D3	d1	E	H	L1	L2	FLANGE DIMENSIONS (CLASS 150)						
												D	BOLT HOLE			t	g	f
													C	h	n			
1/2"	48	11	80	12.5	15	36/42	6/6	130	9	108	48	89	60.5	16	4	11.5	35	1.6
3/4"	53	11	80	15	20	36/42	6/6	130	9	117	50	98	70	16	4	11.5	43	1.6
1"	55	11	82	20	25.4	36/42	6/6	130	9	127	55	108	79.5	16	4	11.5	51	1.6
1-1/2"	65	14	95	31.8	38.1	50	7	165	11	165	60	127	98.5	16	4	14.3	73	1.6
2"	78	18	120	38.1	50.8	50	7	205	14	178	75	152	120.5	19	4	15.9	92	1.6
3"	98	23	155	58	76.2	70	9.2	340	17	203	85	190	152.5	19	4	19.1	127	1.6
4"	118	23	185	76	101.6	70	9.2	340	17	229	95	229	190.5	19	8	24.0	157	1.6

MATERIALS LIST

NO.	NAME OF PARTS	MATERIALS OPTION	
		STAINLESS STEEL	CARBON STEEL
1	BODY	CF8M	WCB
2	GASKET	PTFE	PTFE
3	INSERT CAP	CF8M	WCB
4	BALL	SS 316	SS 316
5	BALL SEATS	PTFE	PTFE
6	STEM	SS 316	SS 316
7	THRUST WASHER	RPTFE	RPTFE
8	O-RING	VITON	VITON
9	STEM PACKING	PTFE	PTFE
10	GLAND WASHER	SS 304	SS 304
11	DISK WASHER	SS 301	SS 301
12	STEM NUT	SS 304	SS 304
13	NUT LOCK	SS 304	SS 304
14	GLAND WASHER	SS 304	SS 304
15	STOPPER	SS 304	SS 304
16	POSITION SCREW	SS 304	SS 304
17	HANDLE NUT	SS 304	SS 304
18	HANDLE	SS 304	SS 304
19	HANDLE COVER	VINYL PLASTISOL	VINYL PLASTISOL
20	SET BOLT	SS 304	SS 304
21	LEVER HEAD	CF8	CF8
22	LEVER	STEEL PIPE	STEEL PIPE

SIZE: 6" & 8"



* Gear Operator for 107S Valves

MATERIALS LIST

NO.	NAME OF PARTS	MATERIALS OPTION	
		STAINLESS STEEL	CARBON STEEL
1	BODY	CF8M	WCB
2	GASKET	PTFE	PTFE
3	INSERT CAP	CF8M	WCB
4	BALL	SS 316	SS 316
5	BALL SEATS	PTFE	PTFE
6	STEM	SS 316	SS 316
7	THRUST WASHER	RPTFE	RPTFE
8	ANTI-STATIC DEVICE	SS 316	SS 316
9	STEM PACKING	PTFE	PTFE
10	GLAND WASHER	SS 304	SS 304
11	DISK WASHER	SS 301	SS 301
12	STEM NUT	SS 304	SS 304
13	NUT LOCK	SS 304	SS 304
14	GLAND WASHER	SS 304	SS 304
15	SET BOLT	SS 304	SS 304
16	STOP PIN	SS 304	SS 304
17	LEVER	STEEL PIPE	STEEL PIPE

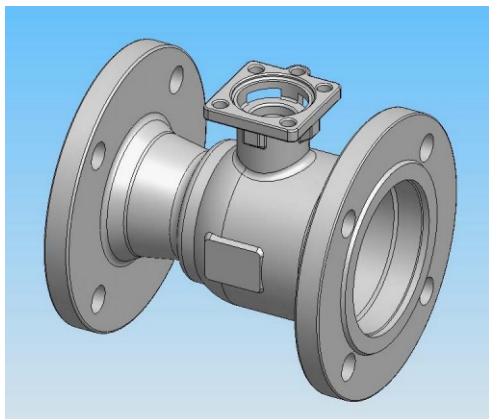
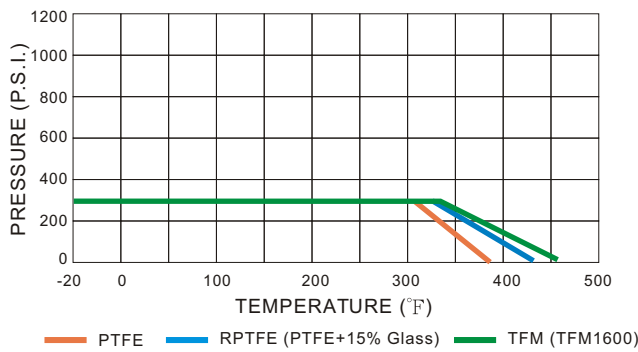
DIMENSIONS (mm)

SIZE	A	B	C	D1	D2	E	L1	L2	FLANGE DIMENSIONS (CLASS 150)						
									D	BOLT HOLE			t	g	f
										C	h	n			
6"	115	40	215	101	152.5	600	266.7	105	279	241.5	22	8	25.4	216	1.6
8"	141	40	242	138	203.5	750	292.1	140	343	298.5	22	8	28.6	270	1.6

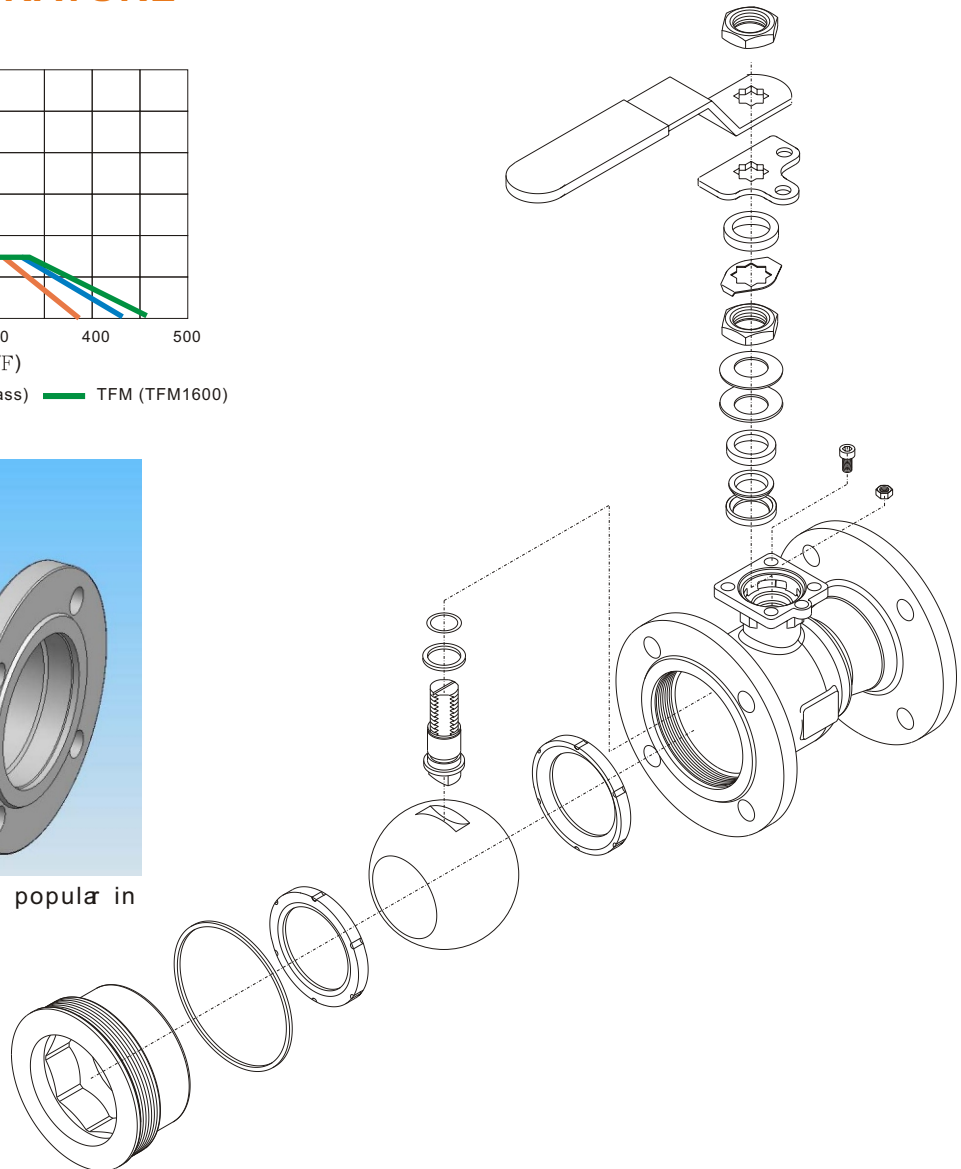
BREAK-TORQUE VALUE for ASME150 (Nm/ at 0 psi)

SIZE	1/2"	3/4"	1"	1 1/2"	2"	3"	4"	6"	8"
GREASE	4.3	5.7	7.2	13	20	54	62	138	252
NON-GREASE	5.6	6.8	9.4	18.2	30	95	132	-	-

PRESSURE/ TEMPERATURE ASME150



1-piece flanged valve was popular in gas & oil industries



Suggestion!

1. As dismantle the ball valve, don't forget to replace new RepairKits, especially the gasket to prevent from leaking.
2. PTFE is better than RPTFE (+15% Glass) as operate the valve by actuator, for Glass fiber will hurt the ball and cause the torque value increasing after over 500 times operation. Another good option is TFM or PTFE+25% Carbon.
3. Before welding the valves, make sure the ends were dismantled. And welding the dismantled ends. After all the ends be cool, assemble the ends & use new gasket to prevent from leaking.