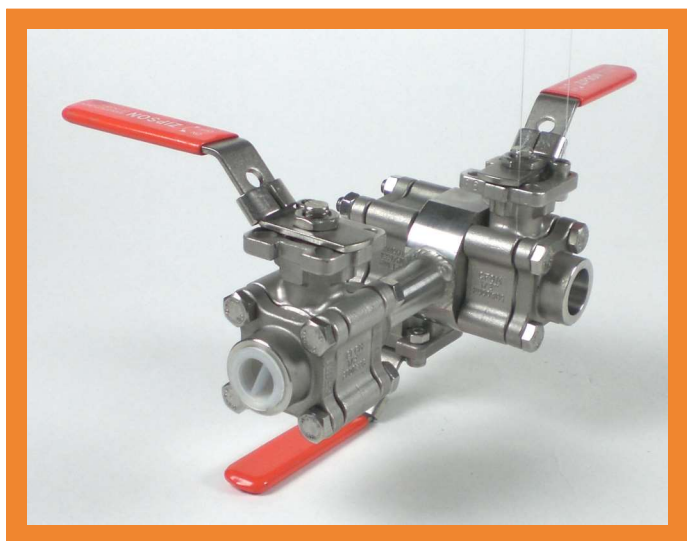


900/ 1500 CLASS or 2160/ 3600 PSI
SIZE: 1/2"-2"



In ZIPSON'S customized products, double block and bleed valve is an option. Two different pressure rating on 2160 psi (Class900) or 3600 psi (Class 1500) are both available. Stainless steel, carbon steel or even special alloy can be used in different application as required.

All the valves on double block & bleed valve are with ISO 5211 direct mounting pad for automation. The standard seat material is TFM1600 for 305D (Class 900) type and PEEK for 306D (Class 1500) type. Metal seated design are available from Sep. 2009.

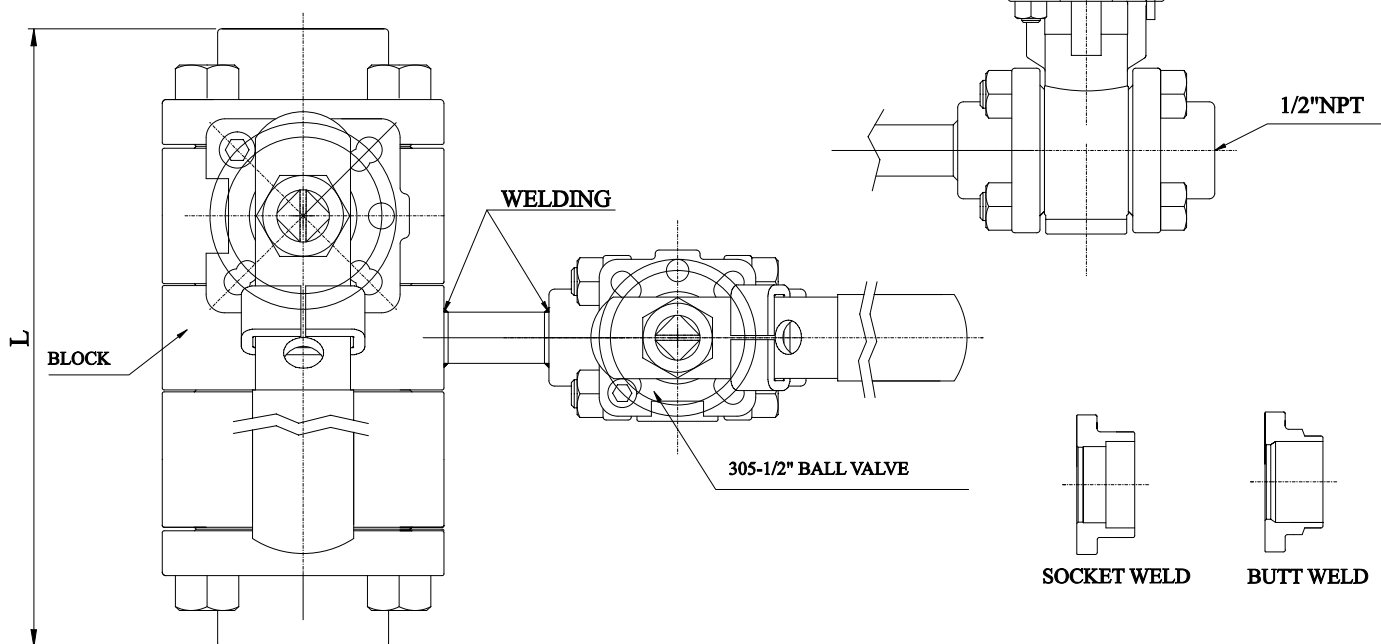
Valve construction & wall thickness are compliant with ANSI B16.34 standard to provide very safety usage. The end connection can be with Thread/ Socket/ Butt Weld. V-ball with 30° 60° or 90° are for option in different flow rate pipe line design.

SPECIFICATION

- * Body & end caps quality investment casting
- * Valve construction & thickness follow ANSIB16.34
- * Full bore & Std. bore design
- * with ISO 5211 direct mounting pad
- * Adjustable stem packing
- * Available in stainless steel or carbon steel
- * Blow-out proof stem design
- * 100% air tested under water at 80-100 psi
- * Working pressure:
 - TFM seat: 1/4"~2", 2160 psi
 - DELTRIN/ PEEK seat: 2-1/2"~4" & 6" (std.), 2000 psi
- * Temperature range: see Pressure/Temperature table
- * with locking function
- * End type: threaded/ socket weld/ butt weld

OPTION

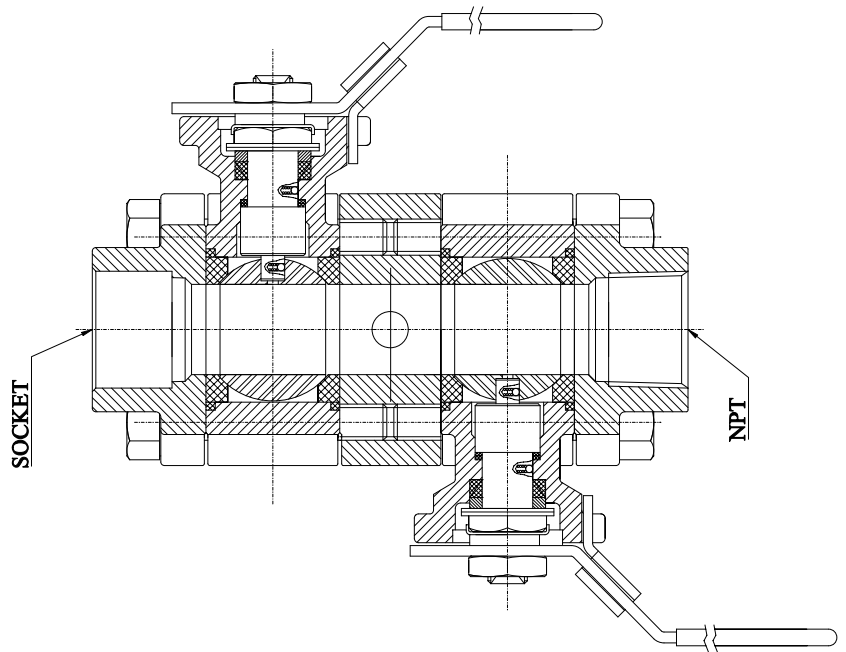
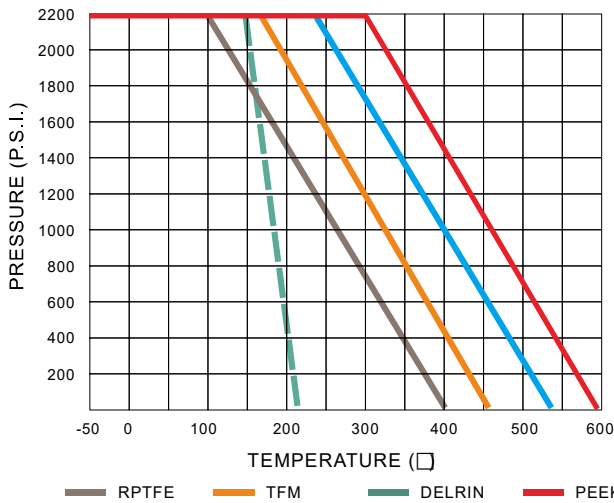
- * Fire safe design
- * Spring return handle (dead man handle, 305D only)
- * Steam jacket
- * V-ball for control valve (ball valve type)
- * Automation application
- * Cryogenic bonnet
- * Fugitive emission bonnet
- * PTFE/ PFA coating (40-70 um)
- * Hastalloy C/ Super duplex/ Alloy 20/ Monel



DIMENSIONS (mm) for 305D

SIZE	L
1/2"	123.8
3/4"	152.0
1"	173.6
1-1/2"	214.2
2"	258.4

PRESSURE/ TEMPERATURE



306D Block & Bleed Valve (1-1/2" & 2") 3600 psi/ Class 1500

