

800 WOG/ PN55
SIZE: 1/2"-2"



SPECIFICATION

- * Body & end caps quality investment casting
- * Available in stainless steel
- * with ISO 5211 direct mounting pad
- * Adjustable stem packing
- * Blow-out proof stem design
- * Available in L-port or T-port
- * 100% air tested under water at 80-100 psi
- * Temperature range -20 F to 450 F
- * End type: T-Clamp
- * with locking function

OPTION

- * Automation application
- * 180° operated stop plate
- * PTFE/ PFA coating (40-70 um)
- * TFM1600/ UPE (UHMWP) soft kits

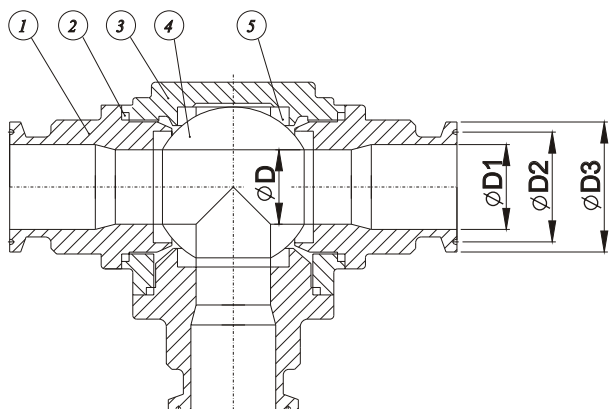
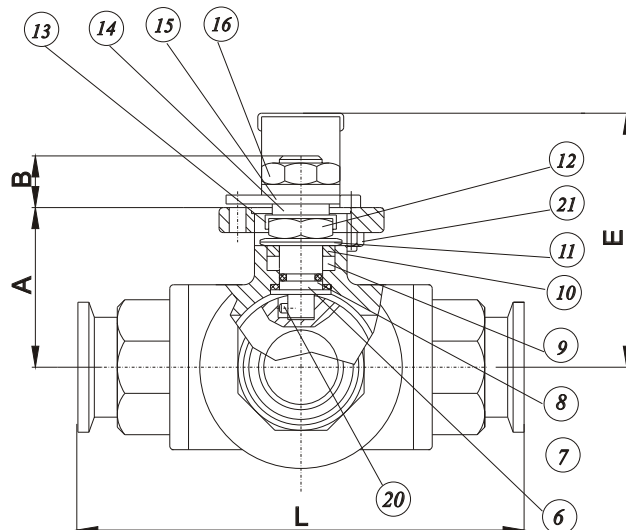
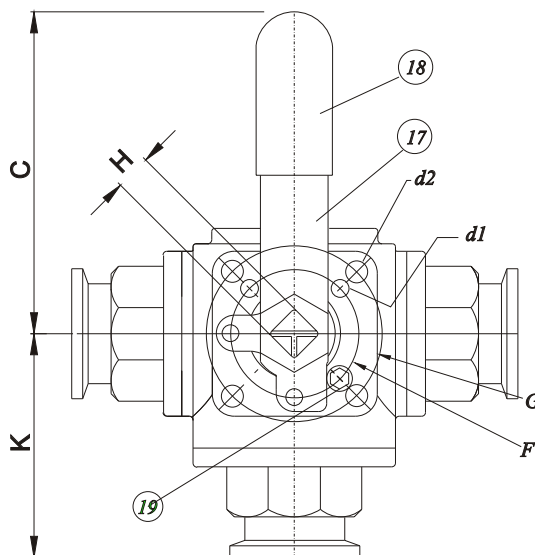
ZIPSON'S 610, 3-way sanitary ball valve with ISO direct mount is the most popular & ripe type in the product line. The 610 designed with ISO direct mount for assembling the actuator directly.

3-way ball valve may help to save much cost on pipe installation & space by wise usage. T-port & L-port are available for many of different flow pattern. 180° stop plate is for option as required.

610 type is 4 seats design, this will help to keep the ball position stably. And designed with a insert pin between the stem & ball to make sure the ball will not leaning after hundreds of operation. The 4 windows on the neck will let the media leak from while the valve leaks. This will protect the actuator to keep from damage by the media. And a good way to keep the working temperature lower, this will help to increase the life time of actuator.

610 type is not for cavity filler & only with T-Clamp ends at present, if cavity filler or tube weld ends are equired ,please review our 620 type brochure.

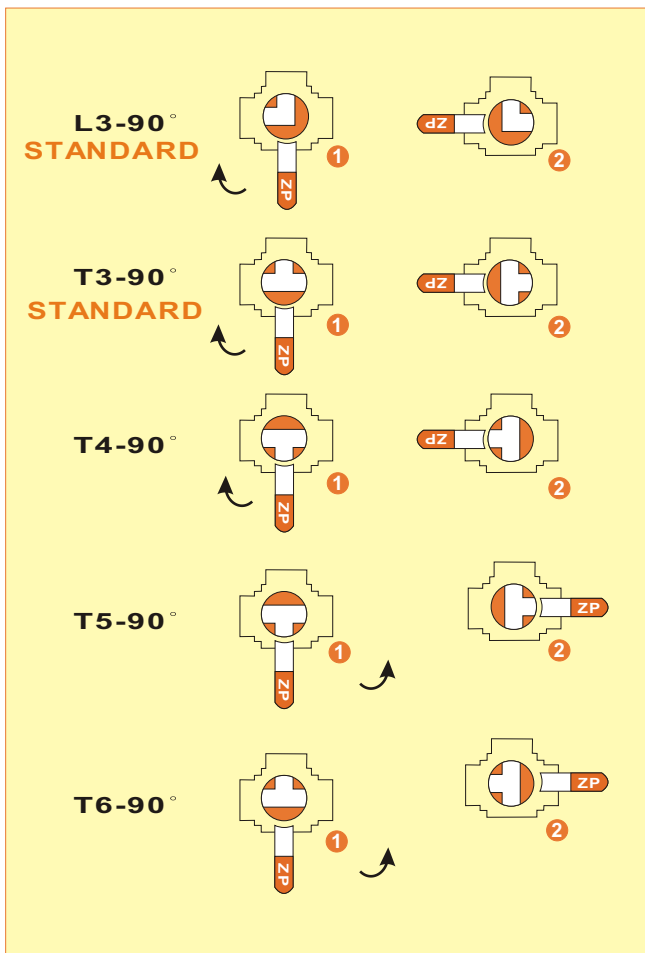
610 type with fine port polishing for sanitary application, outstanding polishing are available as required.



DIMENSIONS (mm)

SIZE	A	B	C	D	D1	D2	D3	d1	d2	E	F	G	H	K	L	W(kg)
1/2"	37.5	9.5	130	12	9.6	21.7	25	6.0	6.0	62	36	42	9	66.5	133	0.91
3/4"	37.5	9.5	130	12	15.8	21.7	25	6.0	6.0	64	36	42	9	70	142	1.02
1"	49	14	165	20	22.1	43.5	50.4	6.0	7.1	82	42	50	11	80	160	1.94
1 1/2"	63	17	205	32	34.8	43.5	50.4	7.1	9.2	98	50	70	14	91	182	3.82
2"	74	16	205	38	47.5	56.5	63.9	7.1	9.2	108	50	70	14	108	216	6.38

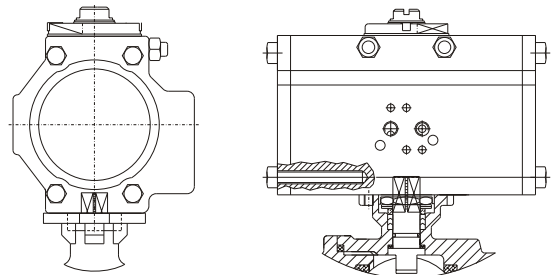
FLOW PATTERN



The wise use of 3-way or multi-way ball valve will help to save much cost on pipe line installation & the cost of place.

MATERIALS LIST

ITEM	PART NAME	MATERIALS
1	T-CLAMP END	CF8M
2	GASKET	PTFE
3	BODY	CF8M
4	BALL	SS 316
5	SEAT	PTFE
6	STEM	SS 316
7	THRUST WASHER	RPTFE
8	O-RING	VITON (FDA)
9	STEM PACKING	PTFE
10	GLAND	SS 304
11	DISK WASHER	SS 301
12	STEM NUT	SS 304
13	NUT STOP	SS 304
14	SPACE WASHER	SS 304
15	STOPPER PLATE	SS 304
16	HANDLE UNT	SS 304
17	HANDLE	SS 304
18	SLEEVE	PLASTIC
19	STOP PIN	SS 304
20	INSERT PIN	SS 304



ISO direct mount for actuator assembling directly.

* Pneumatic (DA or SR)/ Electric actuator

* Solenoid valve/ Limit Switch Box/ EP

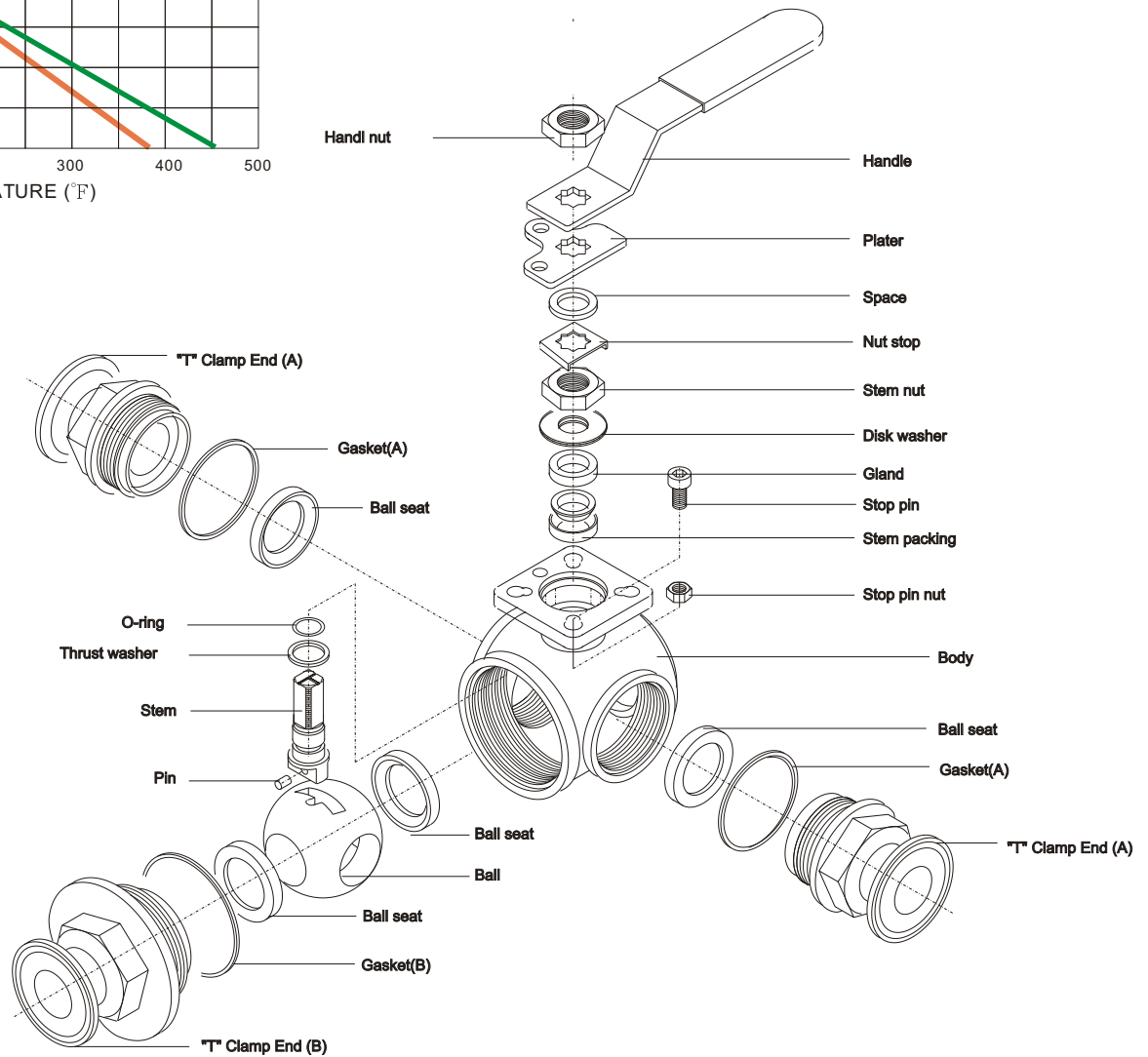
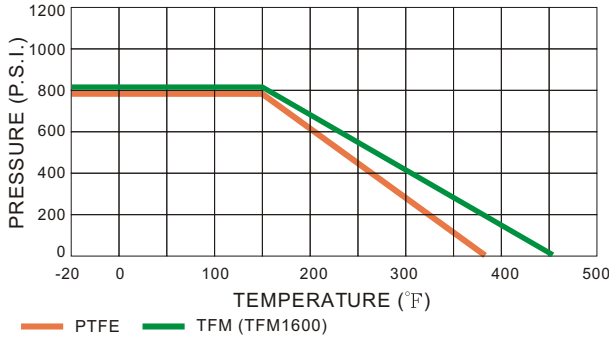
BREAK-TORQUE VALUE (Nm)

SIZE	1/2"	3/4"	1"	1-1/2"	2"
NON-GREASE	12	12	18	60	75

Note 1: The greases ZIPSON use including lubricant & anti-seize grease are both SILICONE-FREE.

Note 2: Strongly suggest increasing at least 30%~40% for safety factor for mounting actuator.

PRESSURE/ TEMPERATURE



CAUTION!

1. As dismantle the ball valve, don't forget to replace new RepairKits, especially the gasket to prevent from leaking.
2. PTFE/TFM is better than RPTFE (+15% Glass) as operate the valve by actuator, for Glass fiber will hurt the ball and cause the torque value increasing.
3. Before welding, make sure the ends were dismantled for welding.
4. For multi-way valve, when the media is AIR and over 30 bar, please ask Zipson to make SS housing to protect the seat.