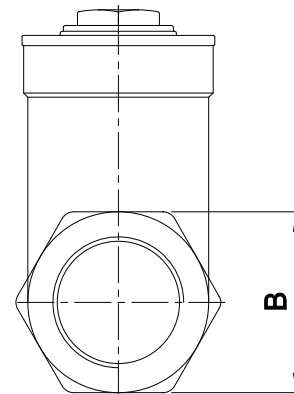
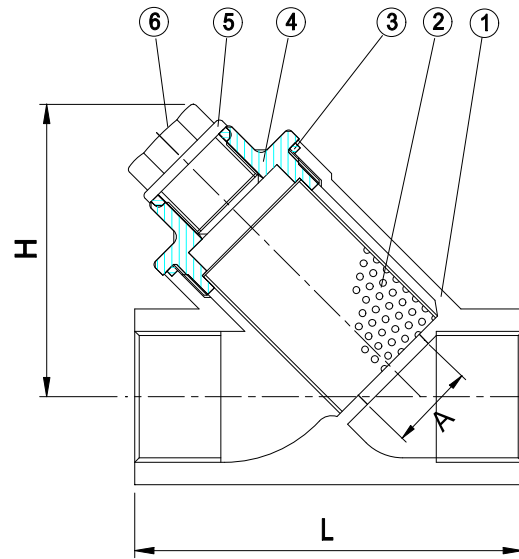




### SPECIFICATION

- \* Body & end caps quality investment casting
- \* 600 WOG working pressure
- \* Size range: 1/4" to 3"



### DIMENSIONS (mm)

SIZE	A	B	H	L
1/4"	11	23	46	65
3/8"	13	23	46	65
1/2"	15	26	46	65
3/4"	20	32	55	80
1"	25	41	70	90
1-1/4"	32	51	73	105
1-1/2"	38	57	81	120
2"	50	69	94	140
2-1/2"	65	87	120	170
3"	80	102	140	200

### MATERIALS LIST

ITEM	PART NAME	MATERIALS
1	BODY	CF8M
2	SCREEN	SS 316
3	CAP	CF8M
4	GASKET	PTFE
5	PACKING	PTFE
6	PLUG	CF8M

### PRESSURE/ TEMPERATURE

