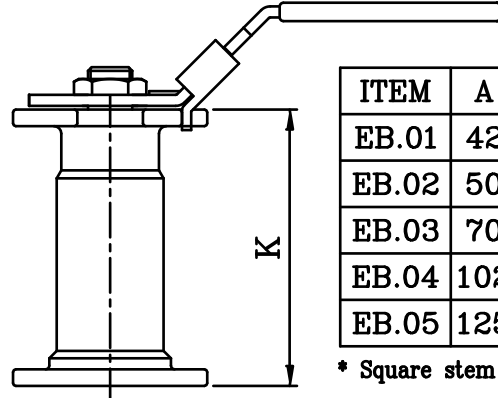
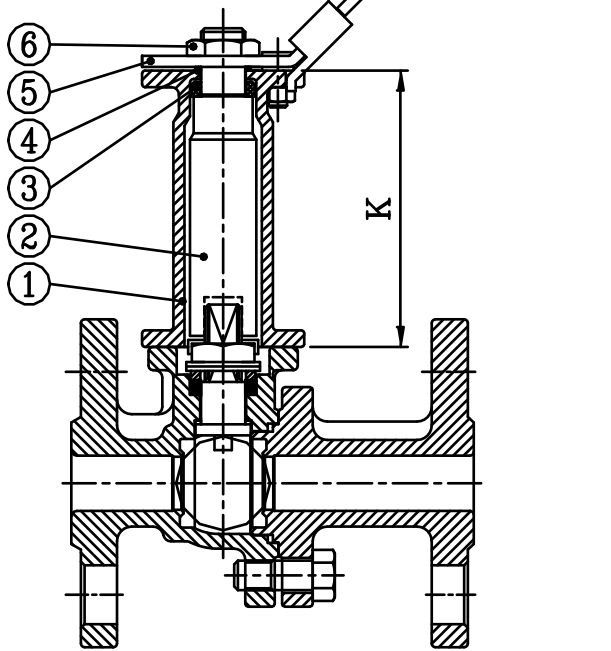
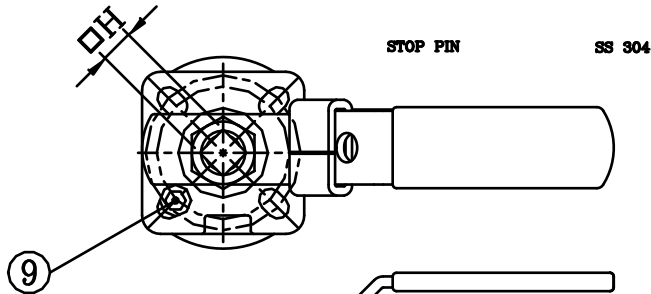
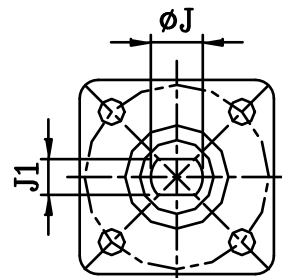
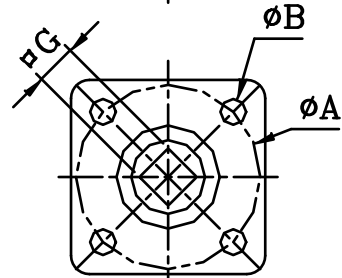


NO.	NAME OF PARTS	MATERIALS
1	BRACKET	A351 CF8
2	LENGTHENED STEM	SS 304
3	BUSHING	PTFE
4	THRUST WASHER	PTFE
5	HANDLE	SS 304
6	HANDLE NUT	SS 304
7	LEVER HEAD	A351 CF8
8	LEVER	STEEL PIPER
9	STOP PIN	SS 304
10	STOP PLATER	SS 304



ITEM	A	B	E	F	b1	b2	H	K	ISO-5211	□G	φJxJ1
EB.01	42	6	36	42	6	6	9	75	F04xF03,F04	9	φ10x6.5
EB.02	50	7	42	50	5.6	7	11		F05xF04,F05	11	φ14x6.5
EB.03	70	9.3	50	70	7.2	9.3	14		F07xF05,F07	14	φ18x9.7
EB.04	102	11.5	70	102	9.3	11.5	17		F10xF07,F10	17	φ20x9.7
EB.05	125	13.5	102	125	11.5	13.5	22		F12xF10,F12	22	φ24x15

* Square stem connection in bottom is default, double D for option



* Default

NAME	EXTENDED BONNET	DWG.	<i>Kaifun</i>	DATE	JAN.04.2019
TYPE	EB Series	CHD.		DATE	
ZIPSON STEEL INDUSTRIAL CO., LTD.				DWG. NO.	EB-000-G01-1