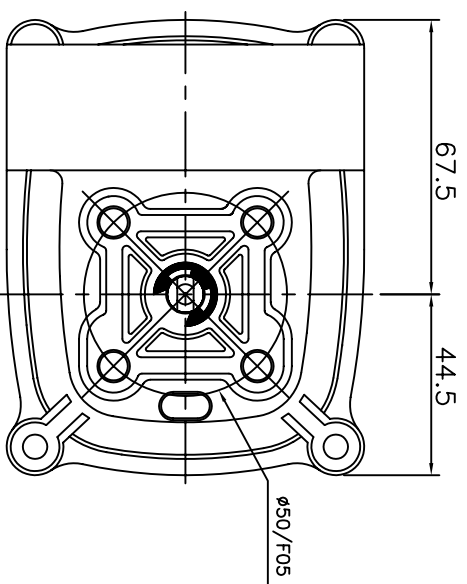
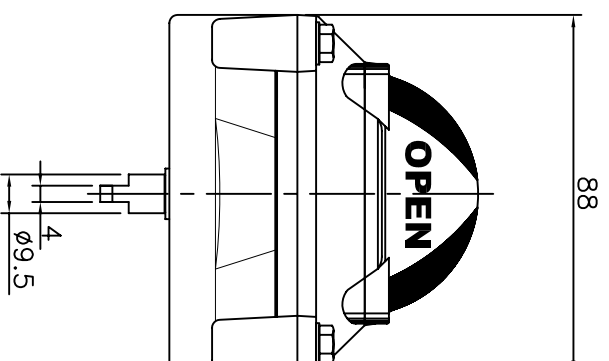
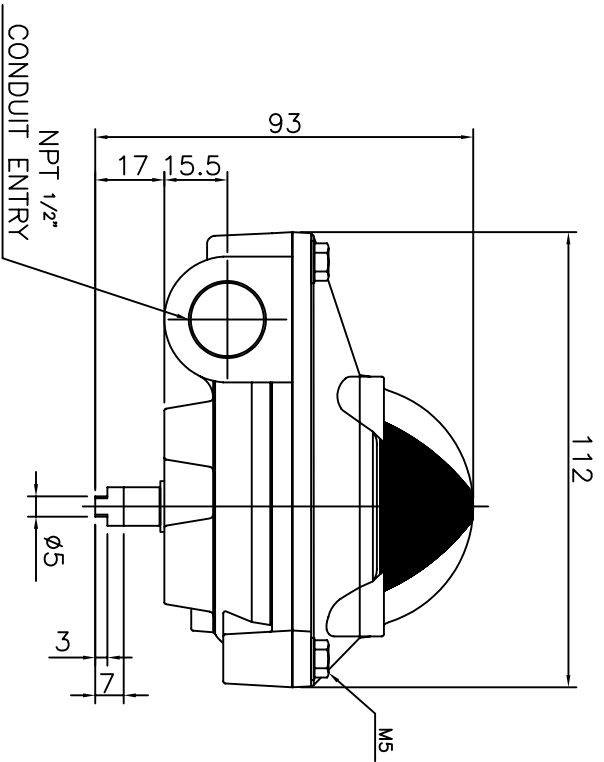


APL-210N

Limit Switch Box

Weatherproof (IP67)

ZIPSON STEEL INDUSTRIAL CO., LTD.



BRACKET(STANDARD)  
(MODEL: MBP-100)

