

ZIPSON'S 202D, 2-piece ball valve with ISO direct mounting pad is designed for most of the industrial pipe line as full port product. The 2000/ 1500 psi working pressure allow the 202D valves to serve in most of the work shops.

The body/ end orbital welding as a safety while the valves working under the higher pressure condition. Different materials of valve construction or soft kits will be applicable for different working circumstance.

The standard bare stem type is well designed for mounting actuator directly with low torque value. It's also 100% suit Zipson's SH01 spring return handle to expand the product line with less inventory by the existing products.

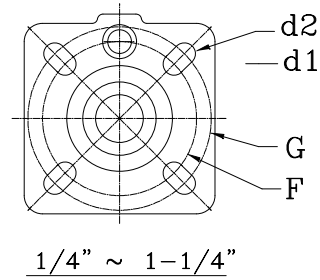
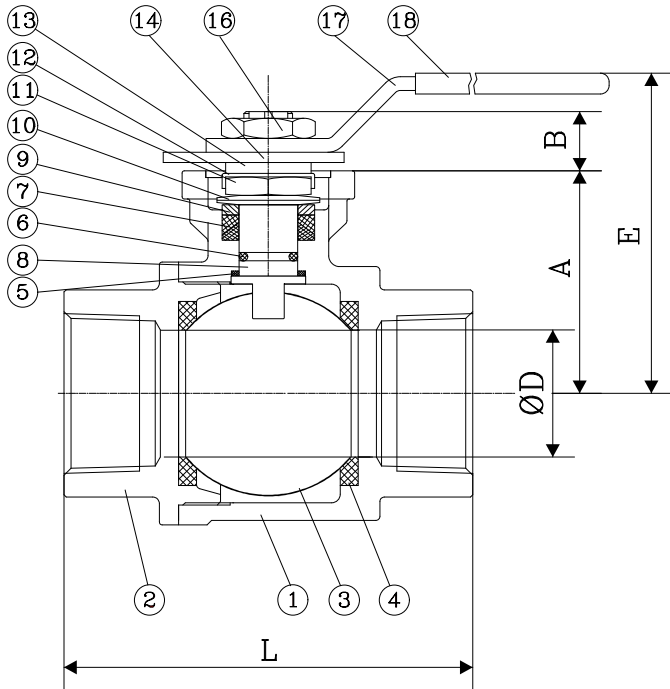
ZIPSON also offer pneumatic/ electric actuator and limit switch box/ solenoid valve/ modulating controller for customers' automation requirement.

SPECIFICATION

- * Body & end caps quality investment casting
- * with ISO 5211 direct mounting pad
- * Body/ end orbital welding
- * Adjustable stem packing
- * Available in stainless steel or carbon steel
- * Blow-out proof stem design
- * 100% air tested under water at 80-100 psi
- * Working pressure: 2000/ 1500 psi
- * Temperature range -20°F to 400°F
- * with locking function
- * End type: threaded

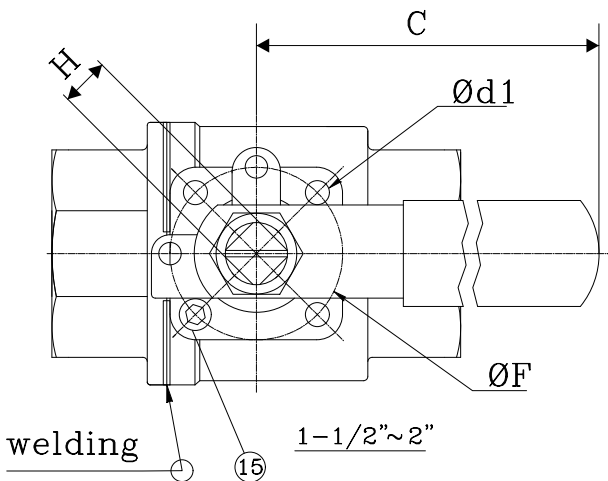
OPTION

- * Spring return handle (dead man handle)
- * With extended stem for thermal insulation
- * Oval handle
- * Automation application



MATERIALS LIST

ITEM	PART NAME	MATERIALS
1	BODY	CF8M/WCB
2	END CAP	CF8M/WCB
3	BALL	SS316/CF8M
4	SEAT	TFM
5	THRUST WASHER	RPTFE
6	O-RING	VITON
7	STEM PACKING	PTFE
8	STEM	SS 316
9	GLAND	SS 304
10	DISK WAHSER	SS 301
11	STEM NUT	SS 304
12	NUT STOP	SS 304
13	SPACE WASHER	SS 304
14	PLATER	SS 304
15	STOP PIN	SS 304
16	HANDLE NUT	SS 304
17	HANDLE	SS 304
18	SLEEVE	PLASTIC

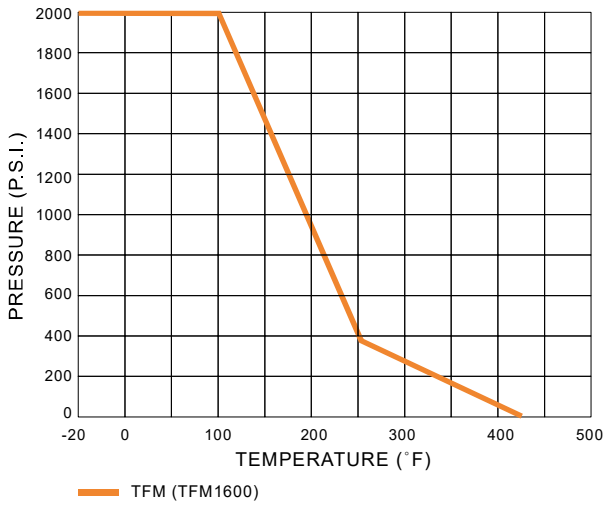


DIMENSIONS (mm)

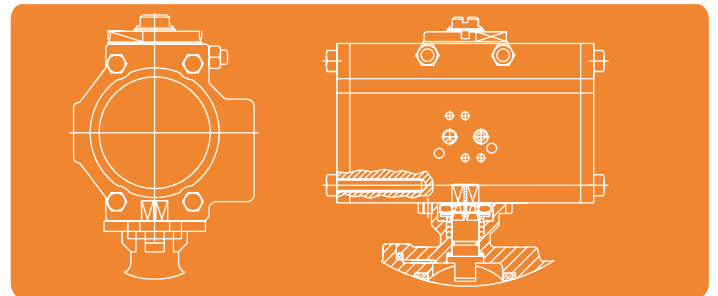
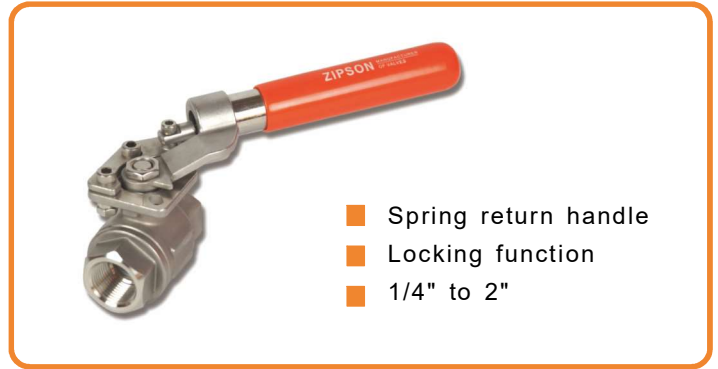
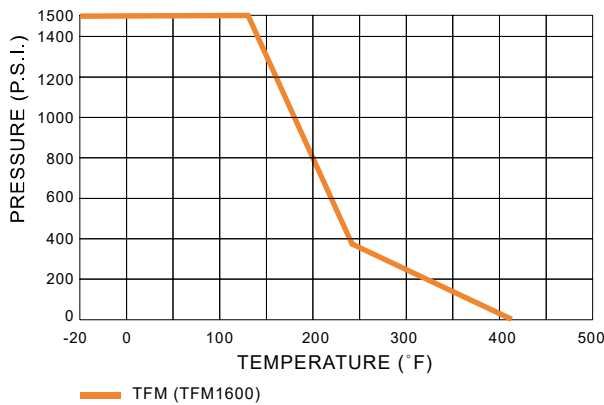
SIZE	A	B	C	D	d1	d2	E	F	G	H	L
1/4"	37	9	130	11	6.0	6.0	66	36	42	9	56.5
3/8"	37	9	130	12.5	6.0	6.0	66	36	42	9	56.5
1/2"	37	9	130	15	6.0	6.0	66	36	42	9	59.0
3/4"	40	11	130	20	6.0	6.0	69	36	42	9	71.5
1"	48	14	160	25	6.0	7.0	80	42	50	11	79.5
1-1/4"	53.5	14	160	32	6.0	7.0	85	42	50	11	92.0
1-1/2"	63.5	18	205	38	7.0	-	98	50	-	14	104.5
2"	72	18	205	50	7.0	-	106	50	-	14	123.5

PRESSURE/ TEMPERATURE

1/4"~1"



1-1/4"~2"



ISO direct mount for actuator assembling directly.

- * Pneumatic (DA or SR)/ Electric actuator
- * Solenoid valve/ Limit Switch Box/ EP

