

1000 & 800 WOG/ PN 63 & 55
SIZE: 1/4"-6"



ZIPSON'S 302F, 3-piece ball valve with ISO direct mounting pad is designed for most of the industrial pipe line as full bore and red. bore (5" & 6") products. Various end connections of Thread/ SW/ BW/ Ex-BW/ ISO1127/ DN11850

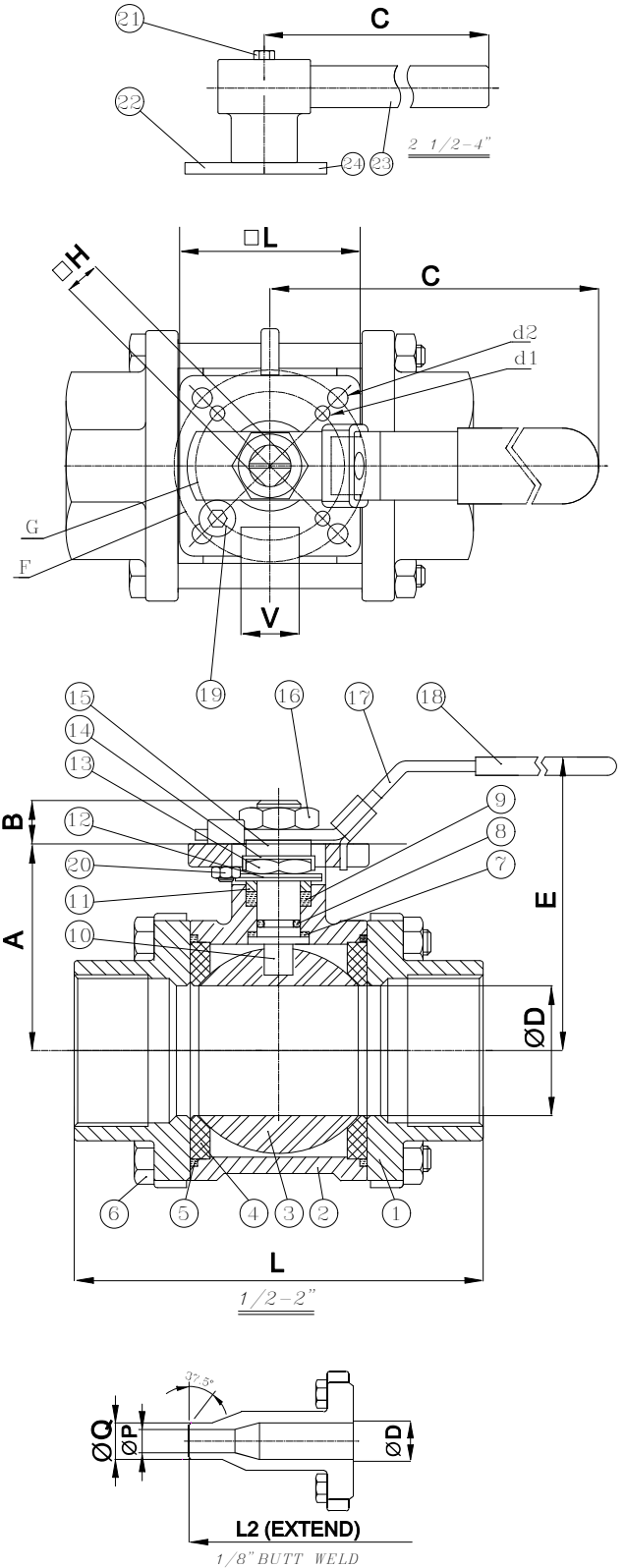
The stem sealing design is for high performance with ISO15848 (150°C) and TA-Luft approval. The ends types can be Thread/ Socket Weld/ Butt Weld. 3-piece ball valve is well designed for reparation on-line. Different material of body/ end & soft kits will be applicable for different working circumstance.

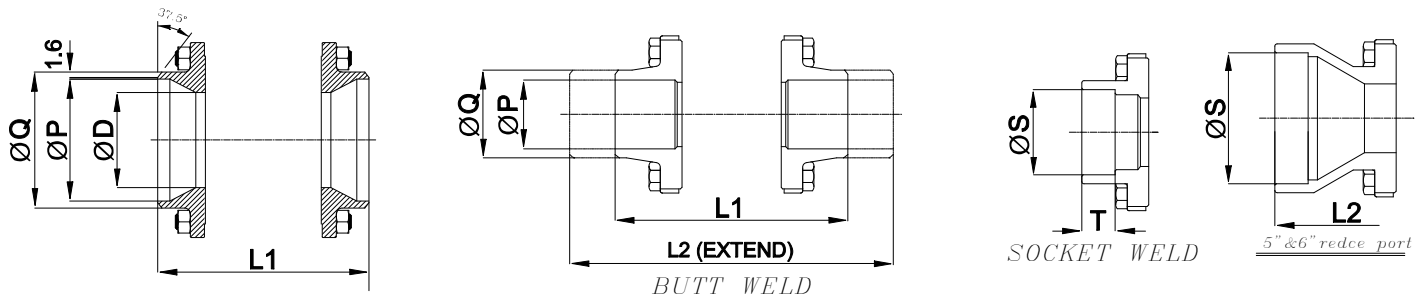
SPECIFICATION

- * Body & end caps quality investment casting
- * with ISO 5211 direct mounting pad
- * Adjustable stem packing, high performance design
- * Available in stainless steel or carbon steel
- * Blow-out proof stem design
- * 100% air tested under water at 80-100 psi
- * Working pressure: 1000/ 800 psi
- * Temperature range -20°C to 400°C
- * with locking function
- * End type: threaded, socket weld, butt weld

OPTION

- * Spring handle (dead man handle)
- * ISO1127/ DIN 11850 end connection
- * Oval handle
- * Automation application
- * Pandle with limit switch box
- * Extended bonnet for isolation
- * PTFE cavity filler
- * V-ball for control valve in 15°, 30°, 60°, 90°, slot
- * Hastalloy C/ Super duplex/ Alloy 20/ Monel





DIMENSIONS (mm)

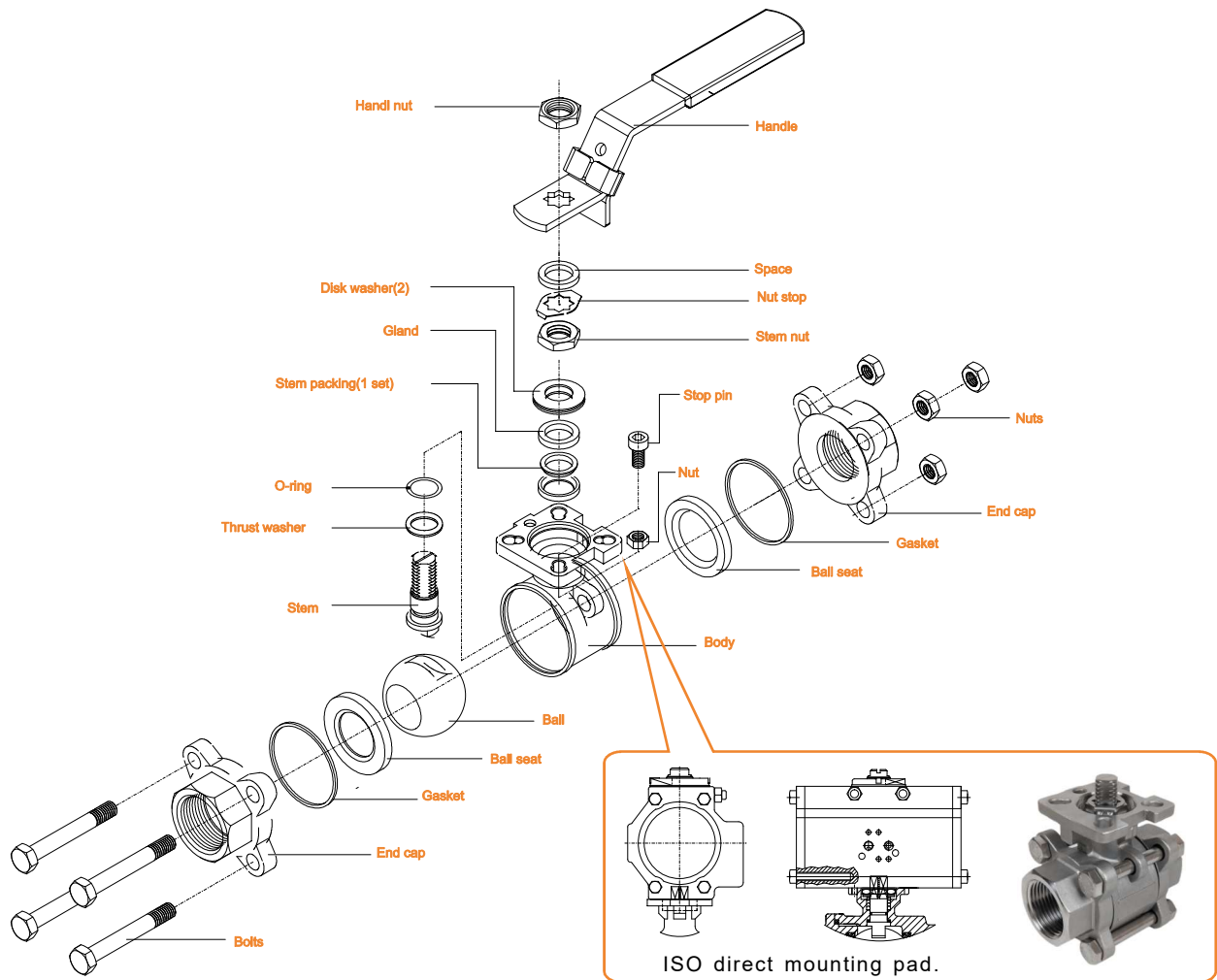
SIZE	A	B	C	D	d1	d2	E	F	G	H	L	L1	L2	V	W
1/8"	37	10	130	11	6.0	6.0	66	36	42	9	60.5	60.5	120	19	44
1/4"	37	10	130	11	6.0	6.0	66	36	42	9	60.5	60.5	120	19	44
3/8"	37	10	130	12.5	6.0	6.0	66	36	42	9	60.5	60.5	120	19	44
1/2"	37	10	130	15	6.0	6.0	66	36	42	9	63.5	63.5	140	19	44
3/4"	40	10	130	20	6.0	6.0	69	36	42	9	75.5	75.5	140	19	44
1"	48	13	155	25	6.0	7.0	77	42	50	11	86	86	152	24	52
1 1/4"	53	13	155	32	6.0	7.0	82	42	50	11	96	104	165	24	52
1 1/2"	63	17	205	38	7.0	9.0	103	50	70	14	111	117	190	28	53
2"	72	17	205	50	7.0	9.0	112	50	70	14	129	138	203	28	53
2-1/2"	92	19	300	65	9.0	11.3	147	70	102	17	152.5	170	254	-	92
3"	102	19	300	80	9.0	11.3	157	70	102	17	168.5	192	280	-	92
4"	132	26	350	100	11.3	13.5	195	102	125	22	212.5	226	308	-	102
5", red	132	26	350	100	11.3	13.5	195	102	125	22	280	242	-	-	102
6", red	132	26	350	100	11.3	13.5	195	102	125	22	308	262	-	-	102

SIZE	SOCKET WELD		BUTT WELD			
			Sch.10		Sch.40	
	S	T	P	Q	P	Q
1/8"	10.8	12.7	-	-	7	10.5
1/4"	14.0	12.7	-	-	10	17
3/8"	17.5	12.7	-	-	13.1	17
1/2"	21.7	12.7	17.1	21.5	15.5	21.5
3/4"	27.1	14.3	22.5	27.5	20.6	27.5
1"	33.8	15.9	27.8	34.5	26.7	34.5
1 1/4"	42.6	17.5	36.6	42.8	35.1	42.8
1 1/2"	48.6	19.1	42.7	49	40.5	49
2"	61.1	22.2	54.7	61	52.4	61
2-1/2"	74.0	22.2	67.1	77	65	77
3"	90.0	25.4	83.7	91	80	91
4"	115.6	28.5	108.1	115	100	115
5", red	142.8	31.8	134.5	143	128	143
6", red	170.1	31.8	161.5	170	154	170

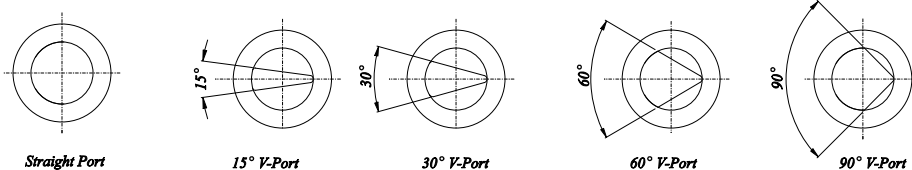
MATERIALS LIST

ITEM	PART NAME	MATERIALS
1	END CAP	CF8M/CF3M/WCB
2	BODY	CF8M/CF3M/WCB
3	BALL	CF8M/CF3M
4	SEAT	PTFE/TFM
5	GASKET	PTFE/TFM
6	BOLTS	SS 304
7	THRUST WASHER	RPTFE/TFM
8	O-RING	VITON
9	STEM PACKING	PTFE/TFM
10	STEM	SS 316/SS 316L
11	GLAND	SS 304
12	DISK WAHSER	SS 301

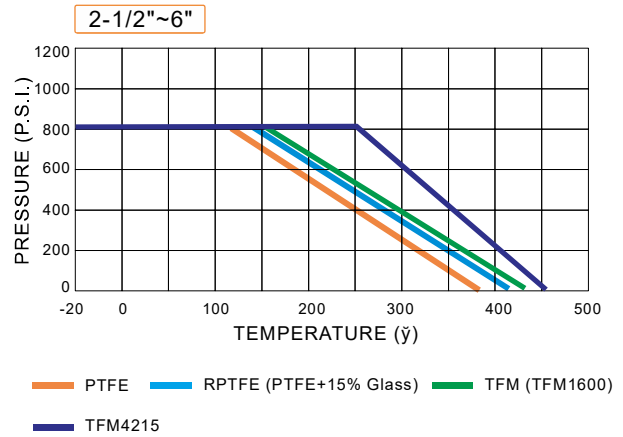
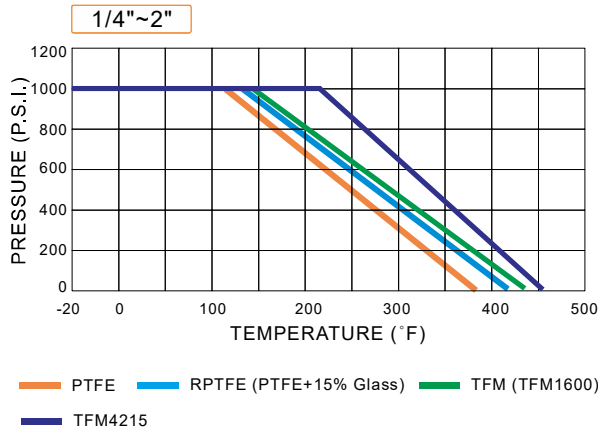
ITEM	PART NAME	MATERIALS
13	STEM NUT	SS 304
14	NUT STOP	SS 304
15	SPACE WASHER	SS 304
16	HANDLE NUT	SS 304
17	HANDLE	SS 304
18	HANDLE COVER	PLASTIC
19	STOP PIN	SS 304
20	NUT	SS 304
21	SET BOLT	SS 304
22	LEVER HEAD	CF8
23	LEVER	STEEL PIPE
24	STOP PLATE	SS 304



V-BALL FOR MODULATING CONTROLLER



PRESSURE/ TEMPERATURE



BREAK-TORQUE VALUE (Nm/ at 0 psi)

SIZE	1/4"	3/8"	1/2"	3/4"	1"	1 1/4"	1 1/2"	2"	2-1/2"	3"	4"-6"
GREASE	3.5	3.5	5	5.5	7	11	17	23	35	46	72
NON-GREASE	5	5	6	7	9.5	16	27	30	68	85	105

Note 1: The greases ZIPSON use including lubricant & anti-seize grease are both SILICONE-FREE.

Note 2: Strongly suggest increasing at least 30%~40% for safety factor for mounting actuator.

OPTIONS ON 302F TYPE

