



ZIPSON'S 305M, 3-piece high performance metal seated ball valve with ISO direct mounting pad is designed for use in high temperature, abrasive, and high pressure media in power generation, petrochemical industries, mining industries, and pulp & paper ones.

To compare the economic valve in the market, Zipson make valve structure & wall thickness totally follow ASME B16.34 standard on Class900 construction. The exact structure make safe in the high performance application.

The standard material for metal seat & ball is Co element (known as Stellite). The Co based material is good at hardness, corrosion resistance and stable under high temperature.

The Zipson patent unique split seat design is perfect to seal the leakage from & over the seat area to make Zipson's metal seated valves meet at least Class V leakage class.

305D metal seated type is bi-directional design to simplify the plumbing works.

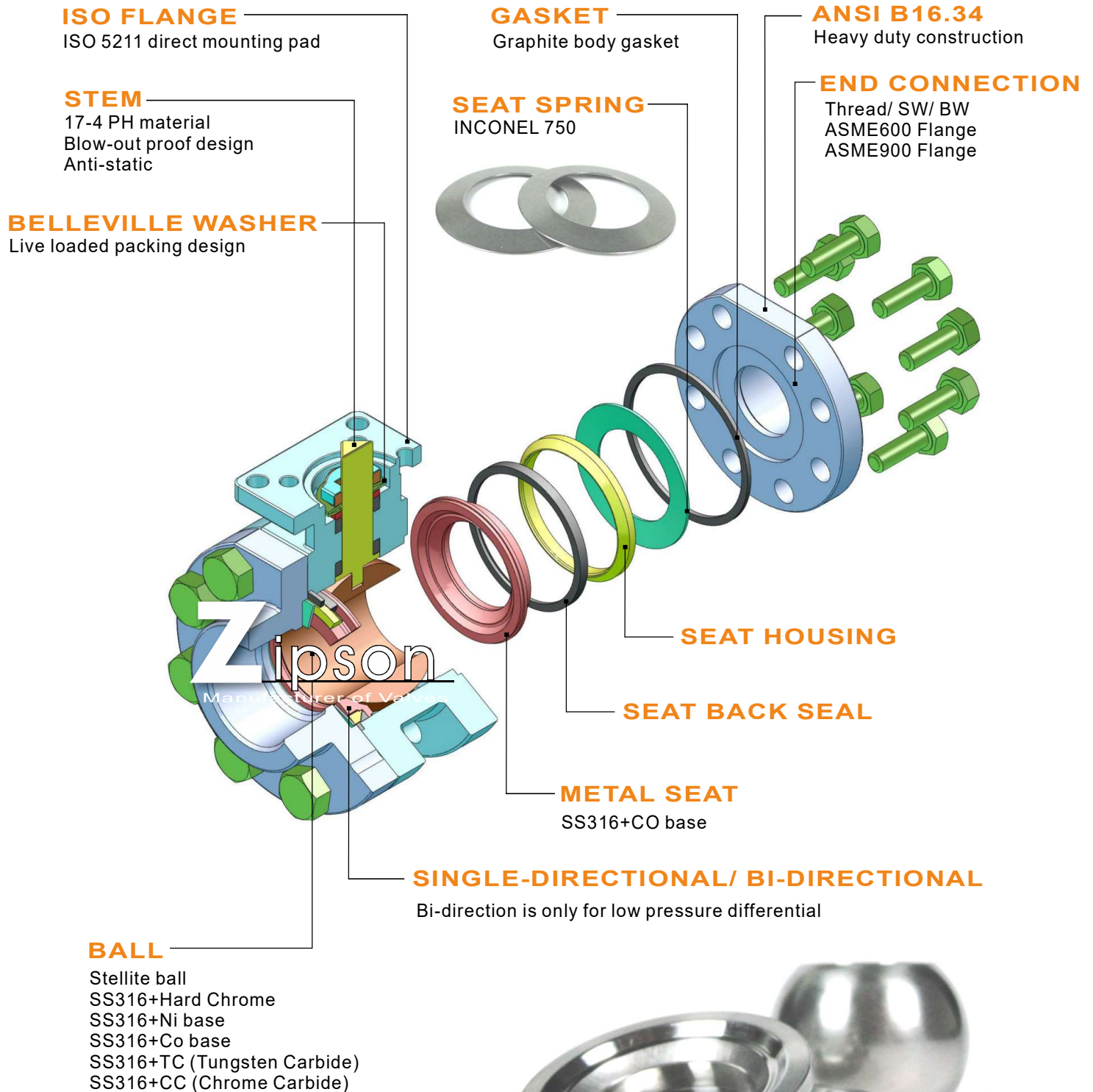
### SPECIFICATION

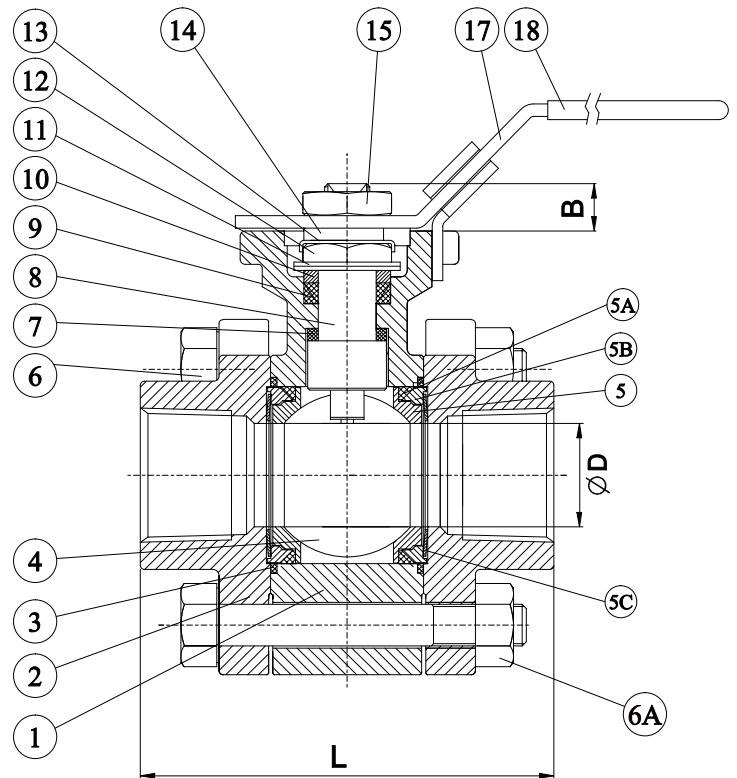
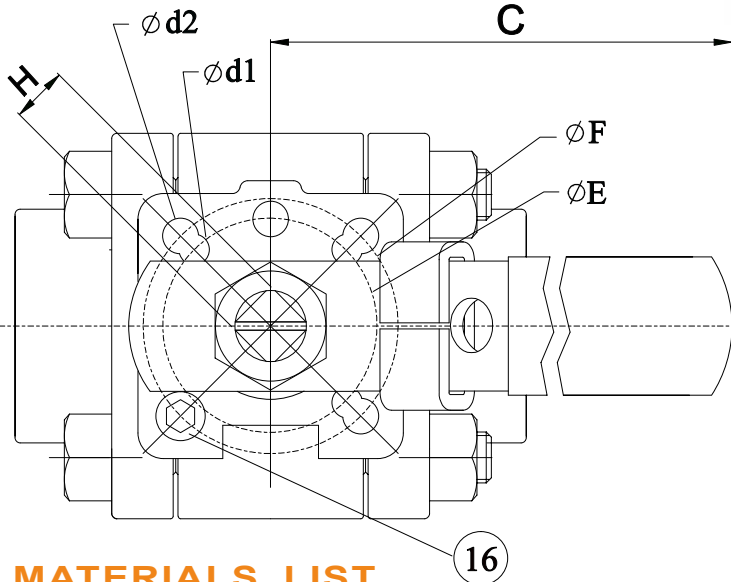
- \* Body & end caps quality investment casting
- \* Valve construction & thickness follow ANSIB16.34
- \* Inconel spring design provide better sealing function
- \* Class 900 construction design
- \* ISO 5211 direct mounting pad
- \* Adjustable stem packing
- \* Live loaded & blow-out proof stem design
- \* Anti-static device
- \* End type: Thread/ SW/ BW/ ASME600 & 900 Flange

### OPTION

- \* Fire safe design
- \* Heating Jacket
- \* V-ball for flow control
- \* Automation application
- \* Cryogenic & Fugitive emission stem extention
- \* Special Alloy on body/ end/ ball/ stem

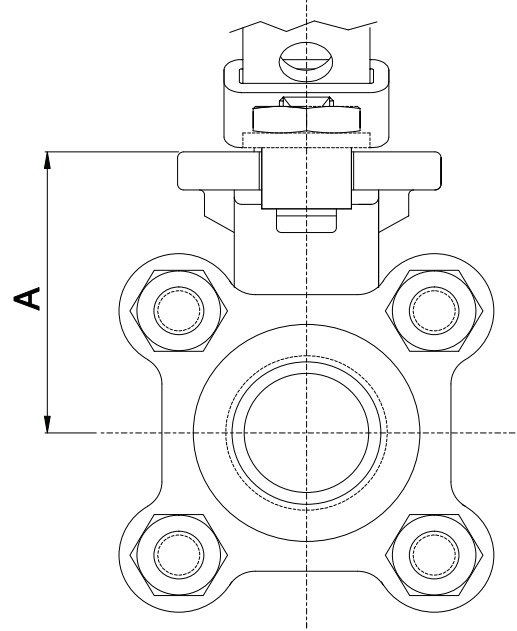
**METAL SEATED VALVE DESIGN FEATURES**





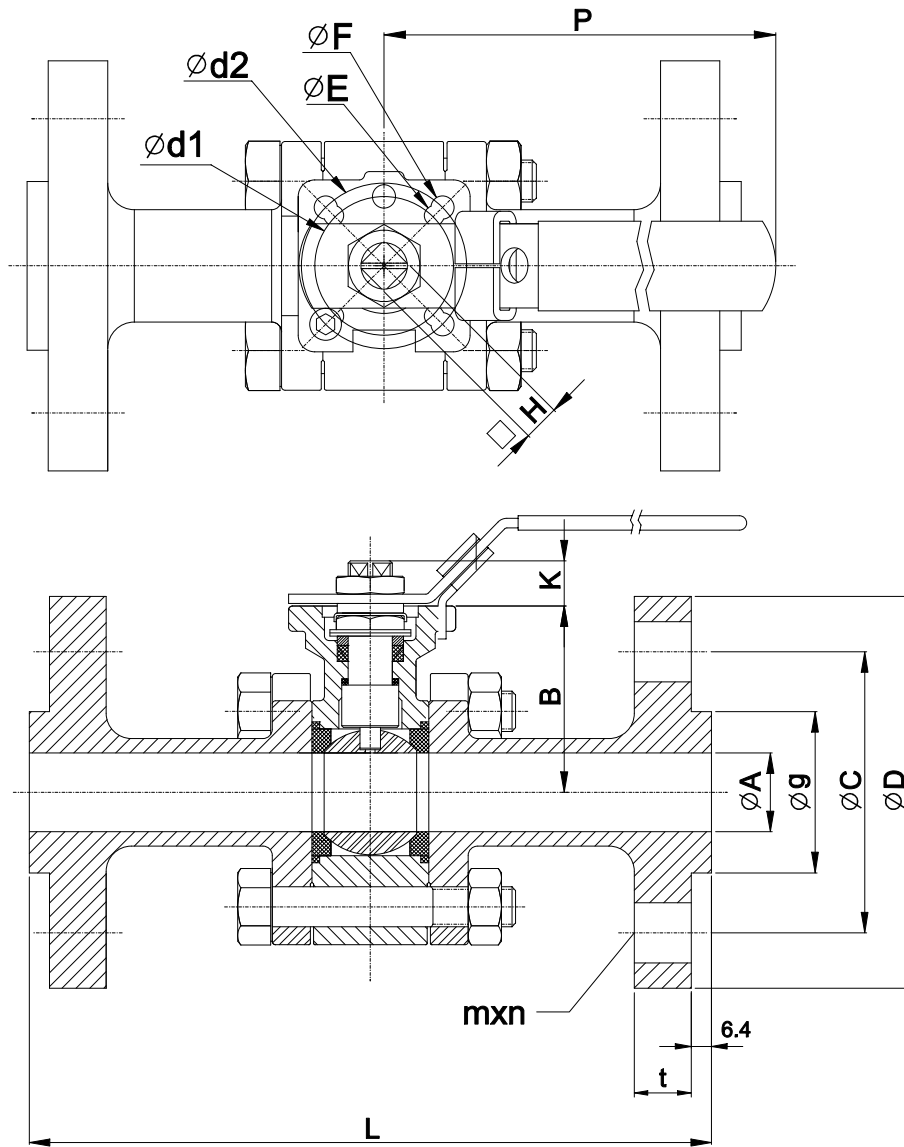
## MATERIALS LIST

ITEM	PART NAME	MATERIALS
1	BODY	CF8M/ WCB
2	END	CF8M/ WCB
3	GASKET	GRAPHITE
4	BALL	Co.Base/ Ni. Base
5	SEAT	SS316+STELLITE
5A	SEAT SEAL	GRAPHITE
5B	SEAT HOUSING	SS316
5C	DISK WASHER	INCONEL
6	BOLT	SS 304
6A	NUT	SS304
7	STEM RING	GRAPHITE
8	STEM	17-4
9	STEM SEAL	GRAPHITE
10	BEARING	SS 304
11	DISK WASHER	17-7
12	STEM NUT	SS 304
13	NUT STOPPER	SS 304
14	WASHER	SS 304
15	HANDLE NUT	SS 304
16	STOP PIN SET	SS 304
17	HANDLE	SS 304
18	SLEEVE	PLASTISOL



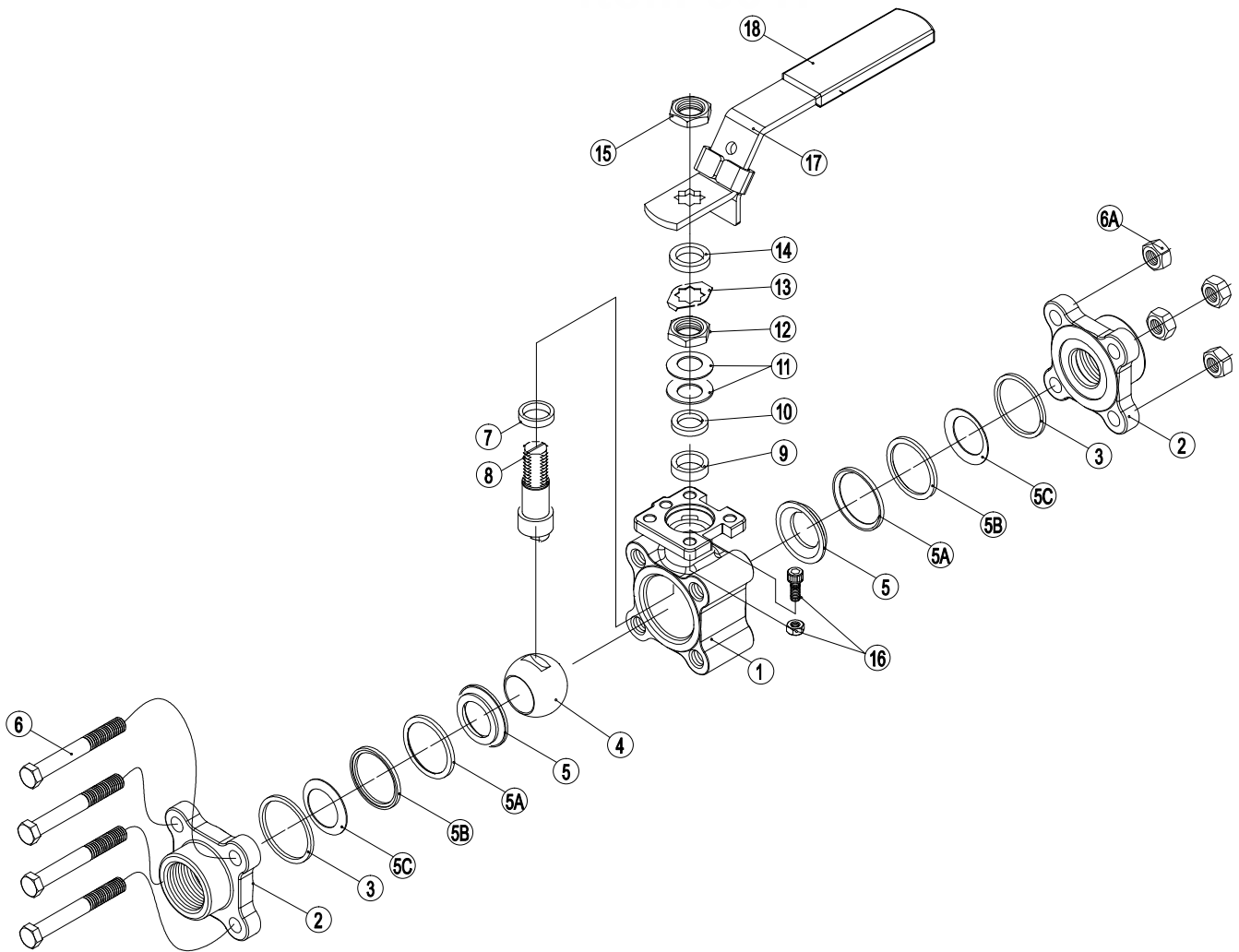
## DIMENSIONS (mm)

SIZE	A	B	C	D	d1	d2	E	F	H	L	SW		BW(40#)		BW(80#)	
											S	T	OD	ID	OD	ID
1/4"	48	9.5	130	11	6.0	6.0	36	42	9	66.5	14.2	11.1	14.0	9.2	14.0	7.5
3/8"	48	9.5	130	12.5	6.0	6.0	36	42	9	66.5	17.5	11.1	17.0	12.7	17.0	10.8
1/2"	48	9.5	130	15	6.0	6.0	36	42	9	70	21.8	12.7	21.3	15.9	21.3	13.8
3/4"	53	12	155	20	6.0	6.0	42	50	11	92	27.1	14.3	26.7	20.8	26.7	18.9
1"	59	12	155	25	6.0	7.0	42	50	11	105	33.8	15.9	33.3	26.6	33.3	24.3
1-1/4"	62	14.5	205	32	7.0	9.2	50	70	14	111	42.5	17.5	42.2	35.1	42.2	32.5
1-1/2"	70	14.5	205	38	7.0	9.2	50	70	14	124	48.7	18.3	48.5	40.8	48.5	38.1
2"	90	19	320	50	9.2	11.4	70	102	17	150	61.1	21.3	60.5	52.4	60.5	49.3
2-1/2"	105	18	350	63.5	9.2	11.4	70	102	17	165	73.9	22.2	73.2	62.7	73.2	59.0
3"	119	25	520	78	11.4	13.5	102	125	22	195	89.9	25.4	89.2	78.0	89.2	73.7
4"	144	25	520	99	11.4	13.5	102	125	22	245	115.2	32	114.5	102.2	114.5	97.2



## DIMENSIONS (mm) / ASME600 & 900 (1/2" to 4")

SIZE	A	B	K	d1	d2	E	F	H	P	Class	L	g	C	D	t	m	n
1/2"	15	48	9.5	36	42	6.0	6.0	9	130	#600	165	35	66.7	95	14.3	15.9	4
										#900	216	35	82.6	120	22.3	22.2	4
3/4"	20	53	12	42	50	6.0	6.0	11	155	#600	190	43	82.6	115	15.9	19.1	4
										#900	229	43	88.9	130	25.4	22.2	4
1"	25	59	12	42	50	6.0	7.0	11	155	#600	216	51	88.9	125	17.5	19.1	4
										#900	254	51	101.6	150	28.6	25.4	4
1-1/4"	32	62	16	50	70	7.0	9.2	14	205	#600	229	64	98.4	135	20.7	19.1	4
										#900	279	64	111.1	160	28.6	25.4	4
1-1/2"	38	70	16	50	70	7.0	9.2	14	205	#600	241	73	114.3	155	22.3	22.3	4
										#900	305	73	123.8	180	31.8	28.6	4
2"	50	90	19	70	102	9.2	11.4	17	300	#600	292	93	127.0	165	25.4	19.1	8
										#900	368	93	165.1	215	38.1	25.4	8
2-1/2"	63.5	105	19	70	102	9.2	11.4	17	350	#600	330	105	149.2	190	28.6	23	8
										#900	419	105	190.5	245	41.3	29	8
3"	78	119	23	102	125	11.4	13.5	22	350	#600	356	127	168.3	210	31.8	23	8
										#900	381	127	190.5	240	38.1	26	8
4"	100	140	23	102	125	11.4	13.5	22	500	#600	432	158	216	275	38.1	26	8
										#900	457	158	235	290	44.5	32	8



**SELECTION GUIDE FOR FLOATING METAL SEATED VALVES  
(SINGLE DIRECTION)**

