

ZIPSON'S 501M type, 3-way metal seated ball valve is a totally unique valve design for critical working condition of high working temperature and powder/ particles contain media.

To the high working temperature condition (over 250°C or 480°F), 501M is the best solution with no soft sealing kits, and quality sealing ability. It expand engineers' vision without sacrificing the idea by high working temperature and make it a real productive work.

The 501M's hard coated surface on ball & seat provide the long working life time without exchange the ball/ seats all the time. The cavity filler option will strongly help to keep the valve cavity from filling the powder and cause the ball seizing problem.

501M type is designed based on 501T & 501F type, including the advantages of ISO 5211 direct mounting pad and self-adjusted stem design with Belleville washer.

The extraordinary material such as Hastelloy C,

Hastelloy C-22, Super Duplex, Duplex, Monel, Alloy 20, Alloy 59 are available for special media or

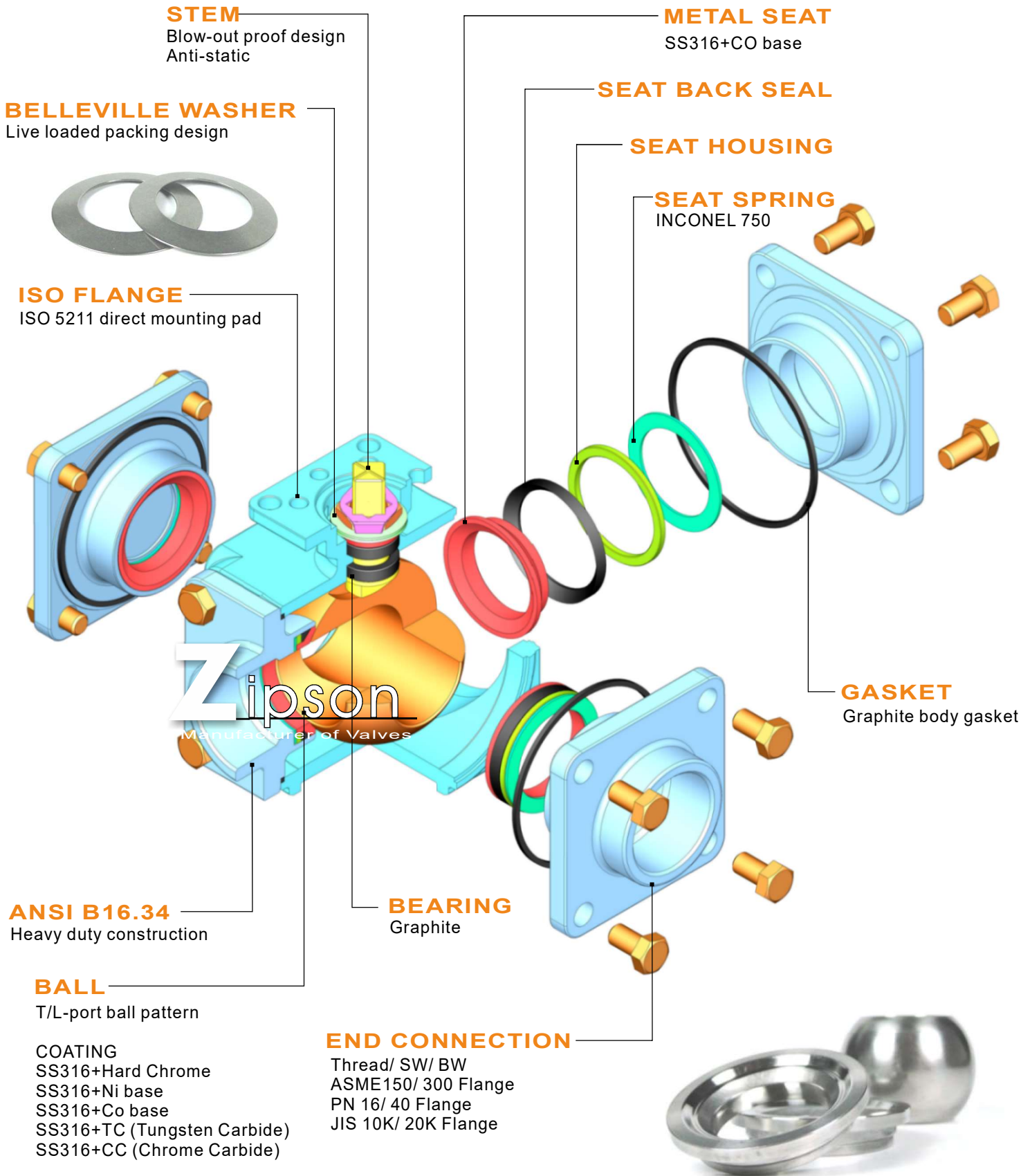
SPECIFICATION

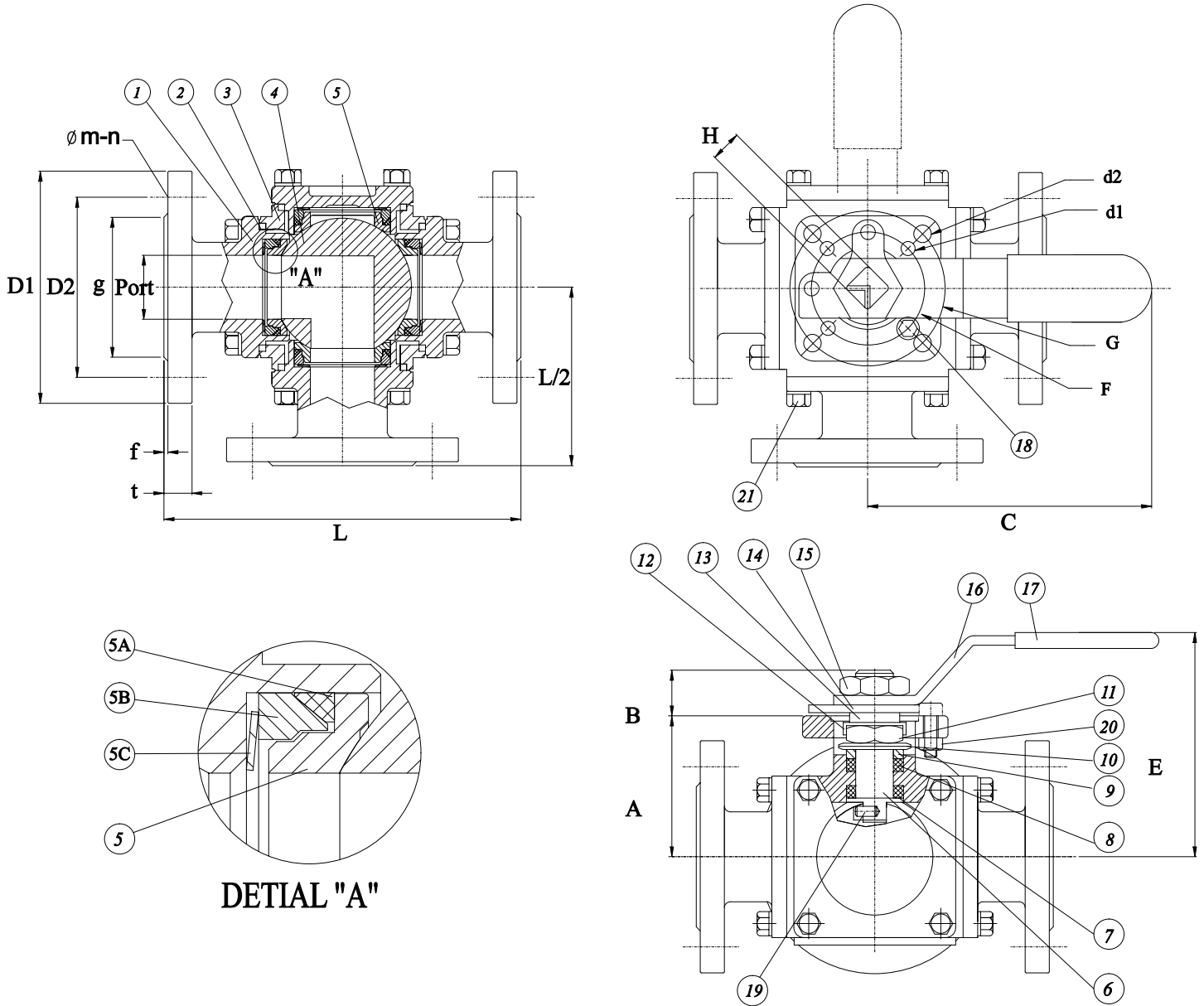
- * Body & end caps quality investment casting
- * Construction design follow ASME B16.34 standard
- * with ISO 5211 direct mounting pad
- * Adjustable stem packing & blow-out proof stem design
- * Available in L/ T-port
- * Hard coated surface on ball & seat
- * End type: Thread/ SW/ BW
ASME 150/ 300; PN 16/40; JIS10K/ 20K
- * Working pressure: Max. 800 psi in shut-off service

OPTION

- * Automation application
- * High working temperature bracket & coupler
- * Cavity filler
- * Hastelloy C, Alloy 20, Super Duplex, Monel

METAL SEATED VALVE DESIGN FEATURES



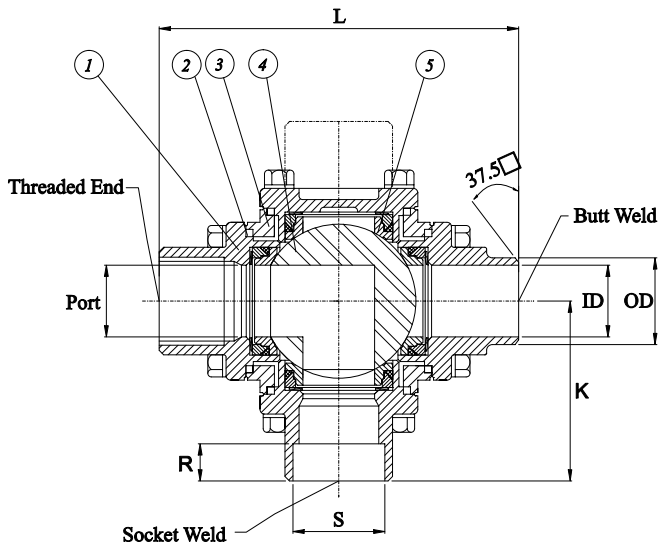


DIMENSIONS, 1/2" to 2" (mm)

SIZE (full port)	A	B	C	d1	d2	E	F	G	H	Port	L	
											#150	#300
1/2"	42	11	130	6.0	6.0	62	36	42	9	15	152	160
3/4"	48.5	14	165	6.0	7.1	82	42	50	11	20	167	177
1"	55.5	14	165	6.0	7.1	89	42	50	11	25	190	200
1 1/4"	63	17	205	7.1	9.2	98	50	70	14	32	208	208
1-1/2"	73.5	16	205	7.1	9.2	108	50	70	14	38	220	234
2"	92.5	21	325	9.2	11.4	140	70	102	17	50	253	273

SIZE	CLASS 150						
	D1	D2	g	t	f	m	n
1/2"	89	60.5	35	11.2	1.6	16	4
3/4"	98	70	43	11.2	1.6	16	4
1"	108	79.5	51	11.2	1.6	16	4
1 1/4"	117	89	64	12.7	1.6	16	4
1-1/2"	127	98.5	73	14.3	1.6	16	4
2"	152	120.5	92	15.8	1.6	19	4

SIZE	CLASS 300						
	D1	D2	g	t	f	m	n
1/2"	95	66.5	35	14.5	1.6	16	4
3/4"	117	82.5	43	16.0	1.6	19	4
1"	124	89	51	17.5	1.6	19	4
1 1/4"	134	98.5	64	20.5	1.6	19	4
1-1/2"	156	114.5	73	22.5	1.6	22	4
2"	165	127	92	25.4	1.6	19	8



SIZE	THREAD/ SW/ BW							
	K	L	SW		BW (Sch.40)		BW (Sch.80)	
			R	S	ID	OD	ID	OD
1/2"	52	104	12.7	21.7	15	22.5	13.8	22.5
3/4"	55.5	111	14.3	27.1	20	28.5	18.9	28.5
1"	63.5	127	15.9	33.9	25	34.5	24.3	34.5
1 1/4"	69	138	17.5	42.5	32	43.5	32.5	43.5
1-1/2"	79	158	19.1	48.6	38	49.5	38.1	49.5
2"	95	190	22.2	61.1	50	61.5	49.3	61.5

MATERIALS LIST, 1/2" to 2"

ITEM	PART NAME	MATERIALS
1	END/ FLANGE END	CF8M/ WCB
2	GASKET	GRAPHITE
3	BODY	CF8M/ WCB
4	BALL	SS 316+HARD CHROME
5A	SEAT BACK SEAL	GRAPHITE
5B	SEAT HOUSING	SS 316
5C	SPRING DISK	INCONEL
6	STEM	SS 316
7	THRUST WASHER	GRAPHITE
8	STEM PACKING	GRAPHITE
9	GLAND	SS 304

10	BELLEVILLE WASHER	17-7
11	STEM NUT	SS 304
12	NUT STOP	SS 304
13	SPACE WASHER	SS 304
14	STOP PLATE	SS 304
15	HANDLE NUT	SS 304
16	HADLE	SS 304
17	HANDLE SLEEVE	PLASTISOL
18	STOP PIN	SS 304
19	BALL FIX PIN	SS 316
20	STOP PIN NUT	SS 304
21	BODY BOLT	SS 304

FLOW PATTERN

3-WAY

L3-90 STANDARD

T3-90 STANDARD

T4-90

T5-90

T6-90

4-WAY

L5-180

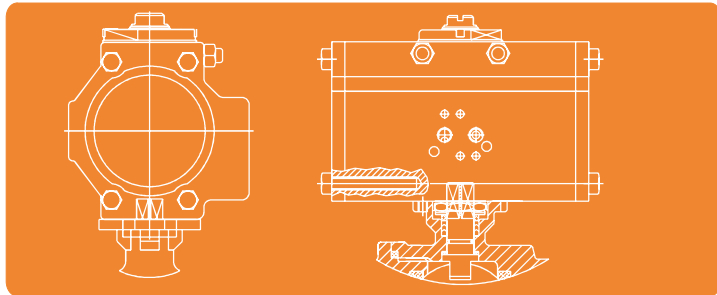
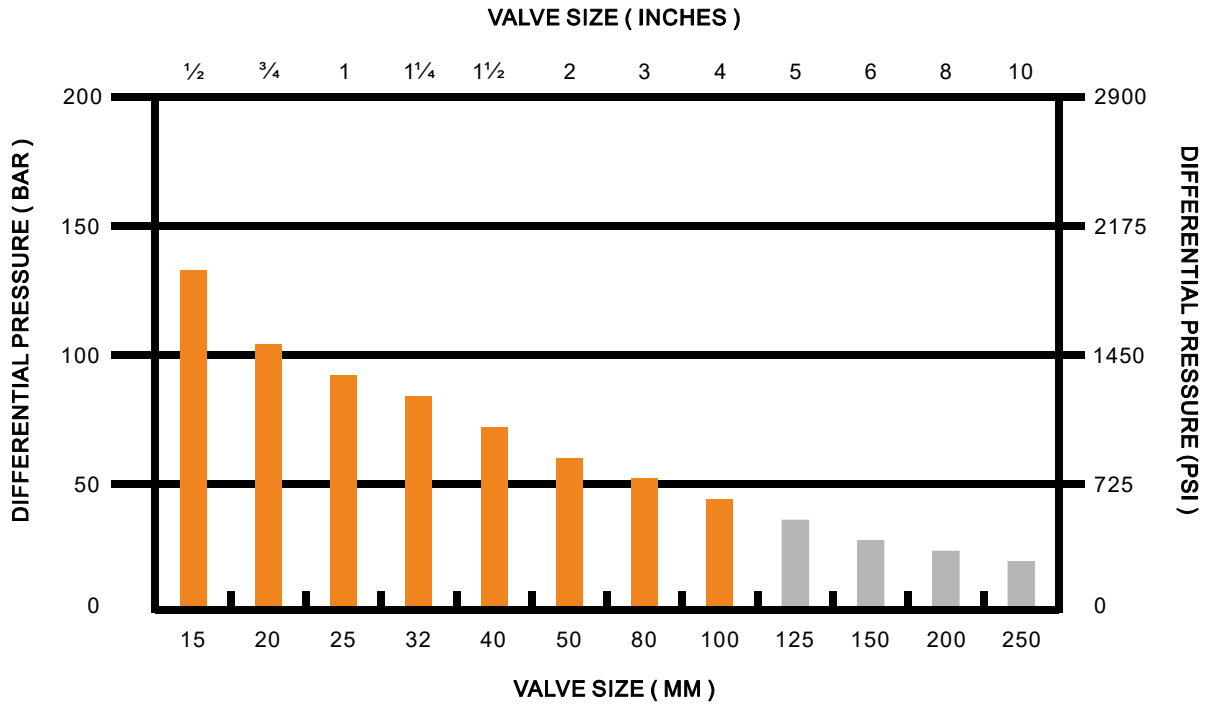
T5-180

X-90

I-90

T-port 90 operation (T3/ T4/ T5/ T6) can be suitable for 4-way valve.

SELECTION GUIDE FOR FLOATING METAL SEATED VALVES (SINGLE DIRECTION)



513F ball valve is available for 180 operation. This design will allow more flow patterns to be use in your pipe works. Customer just have to change a 180 stop plate for this option.

180 stop plate

ISO direct mount for actuator assembling directly.

- * Pneumatic (DA or SR)/ Electric actuator
- * Solenoid valve/ Limit Switch Box/ EP