

7500 & 6000WOG/ PN 517 & PN413  
SIZE: 1/4"-2"



### SPECIFICATION

- \* Body & end caps are machined by bar stock.
- \* Valve construction & wall thickness totally with ASME B16.34 standard
- \* Class range:
  - 7500 psi (Class3000) for 1/4" to 1"
  - 6000 psi (Class2500) for 1-1/4" to 2"
- \* Full bore design
- \* In-line repairable design
- \* with 4 holes for mounting bracket
- \* Adjustable stem packing
- \* Available in stainless steel or carbon steel
- \* Blow-out proof stem design
- \* Locking device
- \* **CRN Register**
- \* End type: threaded/ socket weld/ butt weld
- \* End type: Extended SW/ BW (Sch.80/ Sch.160)

### OPTION

- \* Fire safe design (with SS housing)
- \* V-ball for control purpose
- \* Automation application
- \* **SS seat protector to keep from seat erosion**

ZIPSON'S 316T, 3-piece high performance ball valve ,7500/ 6000 psi (designed according to Class 3000 & 2500,) was designed for the very high pressure industrial pipe line in full port product.

316T valve is made by bar stock in both SS316 & AISI1020. The bar stock will provide perfect mechanical properties in this 7500/6000 psi valve.

To compare the economic valve in the market, Zipson make valve structure & wall thickness totally follow ASME B16.34 standard. The exact structure make safe in the high performance application.

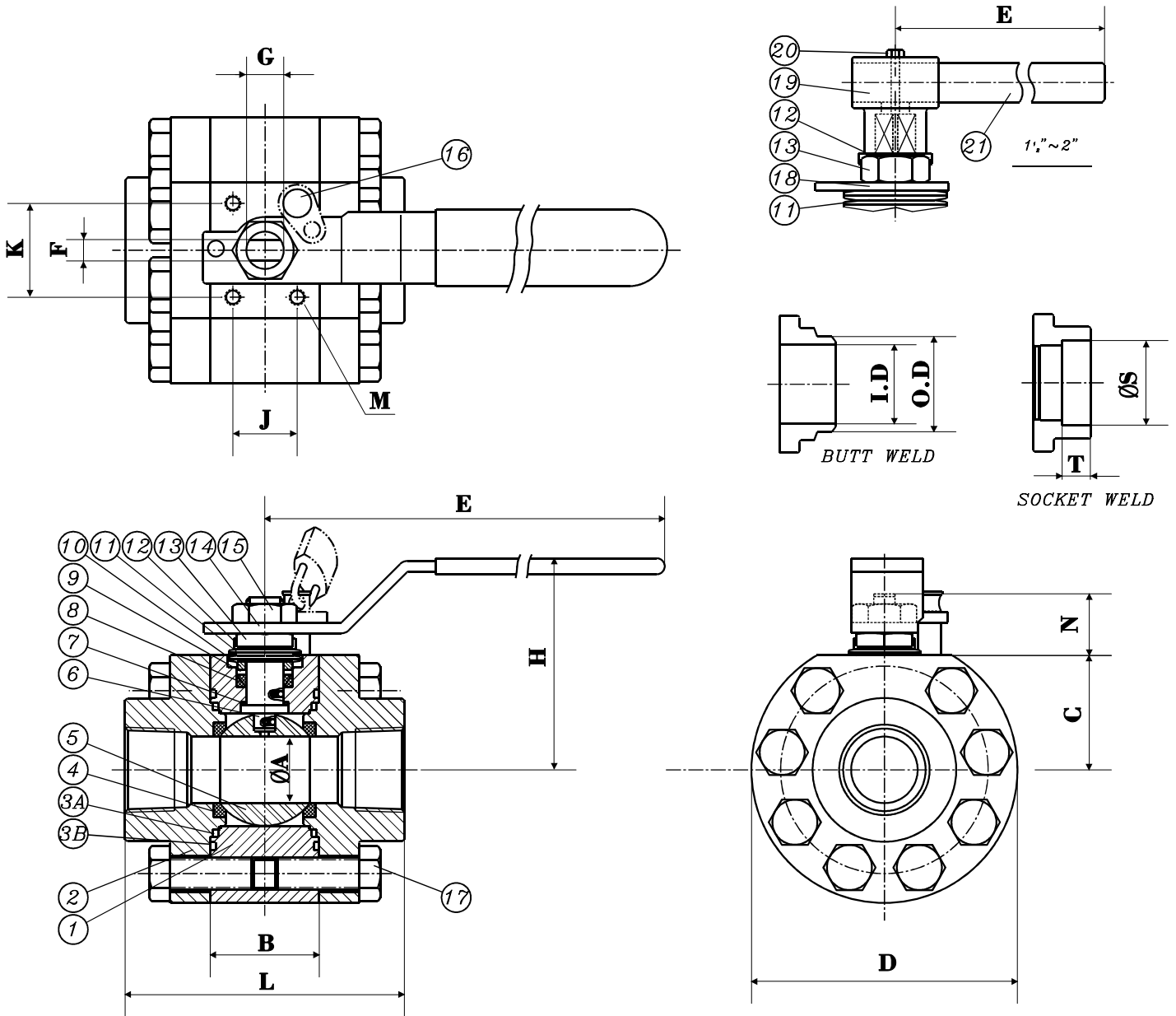
3-piece design is for in-line repairable function. Without special tooling, the user can replace & cleanse the component easily.

The standard seat material was settled on PEEK (450G) & DELRIN (POM). PEEK is available for higher temperature pipe line & DELRIN is for low temperature environment.

The valve are full bore from 1/4" to 2" (DN08-DN50). V-ball for ball valve type control valve are available for slot, 15°, 30°, 60°, 90° for different flow rate requirement.

Fire safe design with SS seat housing in accordance with API607 Edition 4. The locking device of 316T is available lock in both open and close conditions.

Automation is available in 316T as well. To mount a bracket & adaptor, the valve will be operated by both pneumatic & electric power.

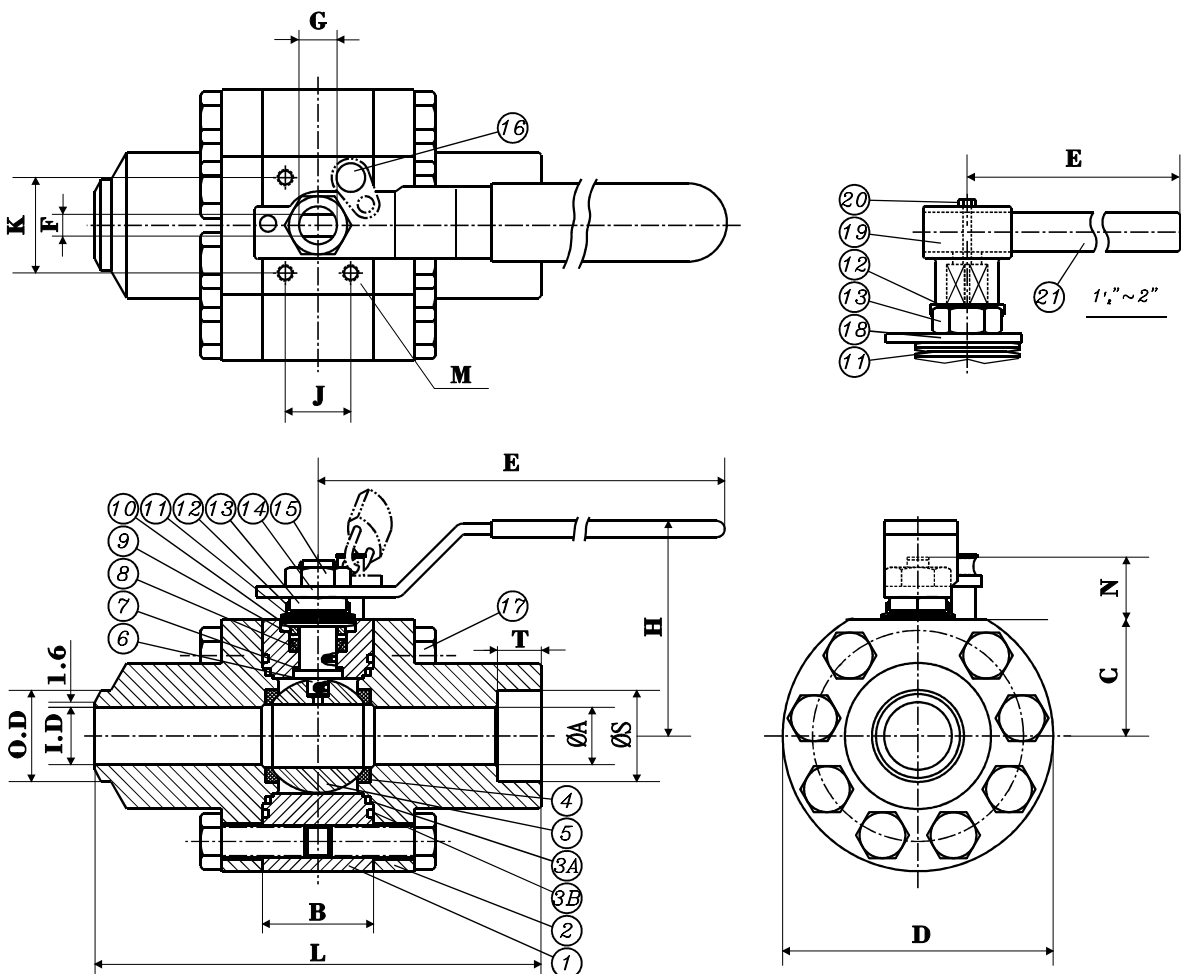


**DIMENSIONS (mm)**

SIZE	A	B	C	D	E	F	G	H	N	L	J	K	M	SW		BW (80#)		BW (160#)	
														S	T	OD	ID	OD	ID
1/4"	11	25	30	74	180	6.3	3/8	67	16	66	13	27	M5	14.2	11.2	13.8	7.8	-	-
3/8"	12.5	25	30	74	180	6.3	3/8	67	16	66	13	27	M5	17.5	11.2	17.2	10.8	-	-
1/2"	15	25.6	32	79	180	6.3	3/8	70	16	72	13	27	M5	21.8	12.7	21.4	13.8	21.4	11.8
3/4"	20	32	38	94	200	8.0	M12	82	21	92	19	30	M5	27.1	14.3	26.7	18.9	26.7	15.5
1"	25	41	43	104	208	9.7	M14	88	21	106	30	37.6	M6	33.8	16.1	33.7	24.3	33.7	20.6
1-1/4"	31.8	43.8	52.5	120	208	9.7	M18	100	25	127	32	39	M6	42.5	17.5	42.2	32.5	42.2	29.5
1 1/2"	38	56	63.4	140	560	12.0	M20	138	37	140	40	43	M8	48.7	18.3	48.5	38.0	48.5	34.1
2"	50	72	72	159	560	12.0	M20	144	37	170	58	50	M8	61.1	21.3	62	49.3	62	43.0

## MATERIALS LIST

NO.	NAME OF PARTS	MATERIALS	
1	BODY	SS 316	AISI 1020
2	END CAP	SS 316	AISI 1020
3A	GASKET	TFM / Graphite	TFM / Graphite
3B	SECONDARY GASKET	TFM	TFM
4	BALL SEAT	PEEK / DELRIN	PEEK / DELRIN
5	BALL	CF8M	CF8M
6	STEM	SS 17-4PH	SS 17-4PH
7	THRUST WASHER	PEEK	PEEK
8	STEM PACKING	TFM / Graphite	TFM / Graphite
9	PACKING PROTECTOR	PEEK	PEEK
10	GLAND HOUSING	SS 304	SS 304
11	DISK WASHER	SS 301	SS 301
12	NUT STOP	SS 304	SS 304
13	STEM NUT	SS 304	SS 304
14	HANDLE	SS 304	SS 304
15	HANDLE NUT	SS 304	SS 304
16	STOP PIN	SS 304	SS 304
17	BODY BOLTS	SS 304 (B8)	CARBON STEEL (B7)
18	STOP PLATE	SS 304	SS 304
19	LEVER HEAD	CF8	CF8
20	SET BOLT	SS 304	SS 304
21	LEVER	STEEL PIPE	STEEL PIPE



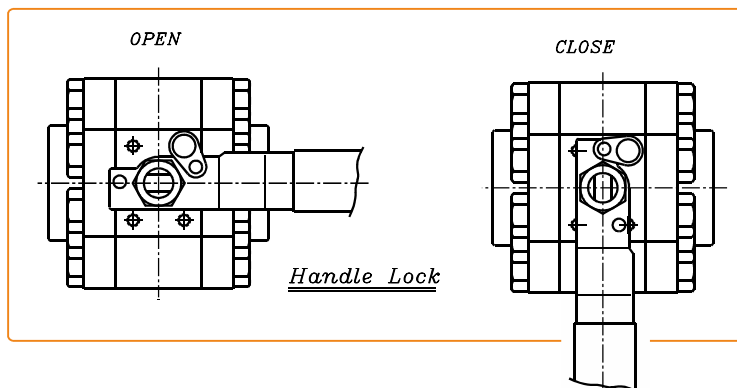
## DIMENSIONS (mm)

SIZE	A	B	C	D	E	F	G	H	N	L	J	K	M	SW		BW (80#)		BW (160#)	
														S	T	OD	ID	OD	ID
1/4"	11	25	30	74	180	6.3	3/8	67	16	127	13	27	M5	14.2	11.2	13.8	7.8	-	-
3/8"	12.5	25	30	74	180	6.3	3/8	67	16	127	13	27	M5	17.5	11.2	17.2	10.8	-	-
1/2"	15	25.6	32	79	180	6.3	3/8	70	16	140	13	27	M5	21.8	12.7	21.4	13.8	21.4	11.8
3/4"	20	32	38	94	200	8.0	M12	82	21	152	19	30	M5	27.1	14.3	26.7	18.9	26.7	15.5
1"	25	41	43	104	208	9.7	M14	88	21	165	30	37.6	M6	33.8	16.1	33.7	24.3	33.7	20.6
1-1/4"	31.8	43.8	52.5	120	208	9.7	M18	100	25	180	32	39	M6	42.5	17.5	42.2	32.5	42.2	29.5
1 1/2"	38	56	63.4	140	560	12.0	M20	138	37	190	40	43	M8	48.7	18.3	48.5	38.0	48.5	34.1
2"	50	72	72	159	560	12.0	M20	144	37	216	58	50	M8	61.1	21.3	62	49.3	62	43.0

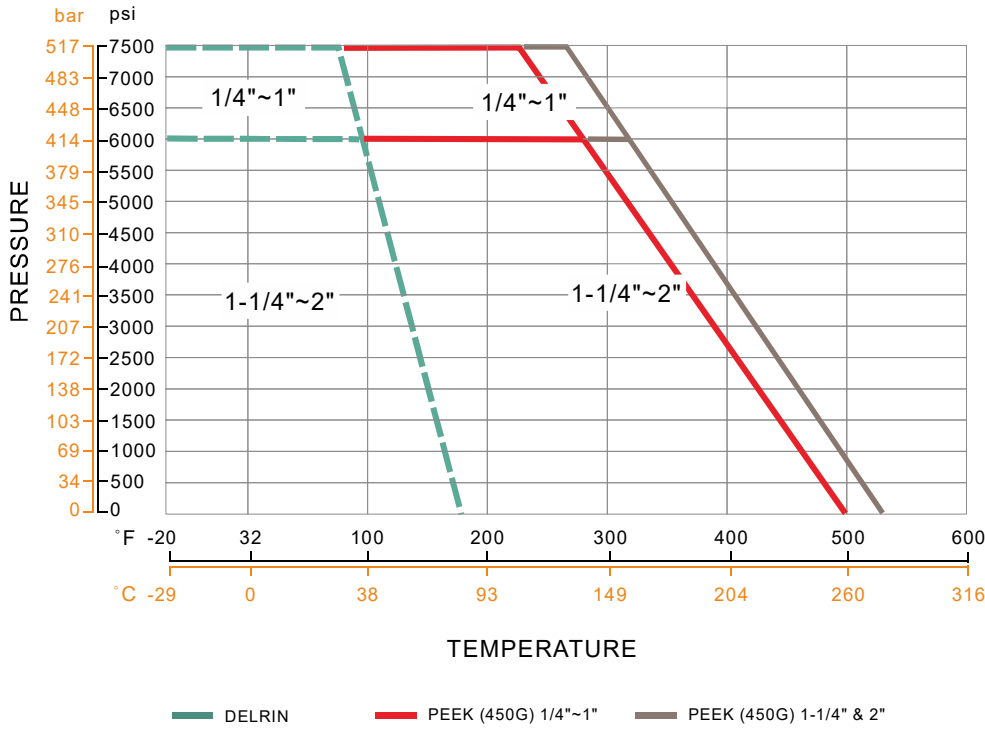
## MATERIALS LIST

NO.	NAME OF PARTS	MATERIALS	
1	BODY	SS 316	AISI 1020
2	END CAP	SS 316	AISI 1020
3A	GASKET	TFM / Graphite	TFM / Graphite
3B	SECONDARY GASKET	TFM	TFM
4	BALL SEAT	PEEK / DELRIN	PEEK / DELRIN
5	BALL	CF8M	CF8M
6	STEM	SS 17-4PH	SS 17-4PH
7	THRUST WASHER	PEEK	PEEK
8	STEM PACKING	TFM / Graphite	TFM / Graphite
9	PACKING PROTECTOR	PEEK	PEEK
10	GLAND HOUSING	SS 304	SS 304
11	DISK WASHER	SS 301	SS 301
12	NUT STOP	SS 304	SS 304
13	STEM NUT	SS 304	SS 304
14	HANDLE	SS 304	SS 304
15	HANDLE NUT	SS 304	SS 304
16	STOP PIN	SS 304	SS 304
17	BODY BOLTS	SS 304 (B8)	CARBON STEEL (B7)
18	STOP PLATE	SS 304	SS 304
19	LEVER HEAD	CF8	CF8
20	SET BOLT	SS 304	SS 304
21	LEVER	STEEL PIPE	STEEL PIPE

## LOCKING DEVICE



## PRESSURE/ TEMPERATURE



## TORQUE (Nm)

SIZE	SEAT	0 PSI	1000 PSI	2000 PSI	3000 PSI	4000 PSI	5000 PSI	6000 PSI
1/4"	PEEK & DELRIN	11.5	11.5	11.5	13	14	15	16
3/8"	PEEK & DELRIN	11.5	11.5	11.5	13	14	15	16
1/2"	PEEK & DELRIN	11.5	11.5	11.5	13	14	15	16
3/4"	PEEK & DELRIN	25	26	26	26	31	36	44
1"	PEEK & DELRIN	45	47	55	62	67	74	83
1 1/4"	PEEK & DELRIN	57	58	64	71	80	89	98
1 1/2"	PEEK & DELRIN	66	68	71	78	90	101	110
2"	PEEK & DELRIN	180	200	205	210	220	228	240

Note 1: Strongly suggest increasing at least 30%~40% as safety factor for choosing actuator.